

## MM74HC574

### 3-STATE Octal D-Type Edge-Triggered Flip-Flop

#### General Description

The MM74HC574 high speed octal D-type flip-flops utilize advanced silicon-gate P-well CMOS technology. They possess the high noise immunity and low power consumption of standard CMOS integrated circuits, as well as the ability to drive 15 LS-TTL loads. Due to the large output drive capability and the 3-STATE feature, these devices are ideally suited for interfacing with bus lines in a bus organized system.

These devices are positive edge triggered flip-flops. Data at the D inputs, meeting the set-up and hold time requirements, are transferred to the Q outputs on positive going transitions of the CLOCK (CK) input. When a high logic level is applied to the OUTPUT CONTROL (OC) input, all outputs go to a high impedance state, regardless of what

signals are present at the other inputs and the state of the storage elements.

The 74HC logic family is speed, function, and pinout compatible with the standard 74LS logic family. All inputs are protected from damage due to static discharge by internal diode clamps to  $V_{CC}$  and ground.

#### Features

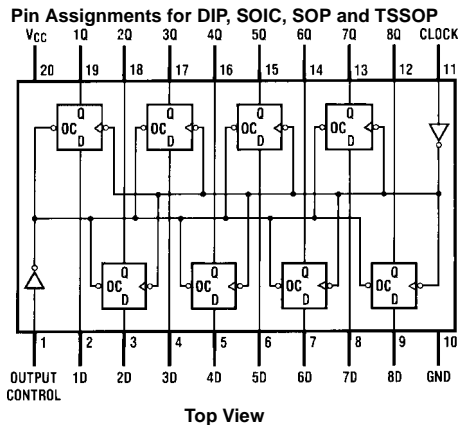
- Typical propagation delay: 18 ns
- Wide operating voltage range: 2V–6V
- Low input current: 1  $\mu$ A maximum
- Low quiescent current: 80  $\mu$ A maximum
- Compatible with bus-oriented systems
- Output drive capability: 15 LS-TTL loads

#### Ordering Code:

| Order Number | Package Number | Package Description   |
|--------------|----------------|---|
| MM74C574WM   | M20B           | 20-Lead Small Outline Integrated Circuit (SOIC), JEDEC MS-013, 0.300"       |
| MM74C574SJ   | M20D           | 20-Lead Small Outline Package (SOP), EIAJ TYPE II, 5.3mm Wide               |
| MM74C574MTC  | MTC20          | 20-Lead Thin Shrink Small Outline Package (TSSOP), JEDEC MO-153, 4.4mm Wide |
| MM74C574N    | N20A           | 20-Lead Plastic Dual-In-Line Package (PDIP), JEDEC MS-001, 0.300" Wide      |

Devices also available in Tape and Reel. Specify by appending the suffix letter "X" to the ordering code.

#### Connection Diagram



#### Truth Table

| Output Control | Clock | Data | Output |
|----------------|-------|------|--------|
| L              | ↑     | H    | H      |
| L              | ↑     | L    | L      |
| L              | L     | X    | $Q_0$  |
| H              | X     | X    | Z      |

H = HIGH Level  
L = LOW Level  
X = Don't Care  
↑ = Transition from LOW-to-HIGH  
Z = High Impedance State  
 $Q_0$  = The level of the output before steady state input conditions were established

**Absolute Maximum Ratings** (Note 1)

(Note 2)

|  |                       |
|--|-----------------------|
| Supply Voltage ( $V_{CC}$ )                      | -0.5 to +7.0V         |
| DC Input Voltage ( $V_{IN}$ )                    | -1.5 to $V_{CC}+1.5V$ |
| DC Output Voltage ( $V_{OUT}$ )                  | -0.5 to $V_{CC}+0.5V$ |
| Clamp Diode Current ( $I_{IK}, I_{OK}$ )         | $\pm 20$ mA           |
| DC Output Current, per pin ( $I_{OUT}$ )         | $\pm 35$ mA           |
| DC $V_{CC}$ or GND Current, per pin ( $I_{CC}$ ) | $\pm 70$ mA           |
| Storage Temperature Range ( $T_{STG}$ )          | -65°C to +150°C       |
| Power Dissipation ( $P_D$ )                      |                       |
| (Note 3)   | 600 mW                |
| S.O. Package only                                | 500 mW                |
| Lead Temperature ( $T_L$ )                       |                       |
| (Soldering 10 seconds)                           | 260°C                 |

**Recommended Operating Conditions**

|  | Min | Max      | Units |
|--|-----|----------|-------|
| Supply Voltage ( $V_{CC}$ )                      | 2   | 6        | V     |
| DC Input or Output Voltage ( $V_{IN}, V_{OUT}$ ) | 0   | $V_{CC}$ | V     |
| Operating Temperature Range ( $T_A$ )            | -40 | +85      | °C    |
| Input Rise or Fall Times ( $t_r, t_f$ )          |     |          |       |
| $V_{CC} = 2.0V$                                  |     | 1000     | ns    |
| $V_{CC} = 4.5V$                                  |     | 500      | ns    |
| $V_{CC} = 6.0V$                                  |     | 400      | ns    |

**Note 1:** Maximum Ratings are those values beyond which damage to the device may occur.

**Note 2:** Unless otherwise specified all voltages are referenced to ground.

**Note 3:** Power Dissipation temperature derating — plastic "N" package: -12 mW/°C from 65°C to 85°C.

**DC Electrical Characteristics** (Note 4)

| Symbol          | Parameter                              | Conditions  | $V_{CC}$ | $T_A = 25^\circ\text{C}$ |                   |           | $T_A = -40$ to $85^\circ\text{C}$ | $T_A = -55$ to $125^\circ\text{C}$ | Units |
|-----------------|--|---|----------|--------------------------|-------------------|-----------|-----------------------------------|------------------------------------|-------|
|                 |  |   |          | Typ                      | Guaranteed Limits |           |                                   |                                    |       |
| $V_{IH}$        | Minimum HIGH Level Input Voltage       |   | 2.0V     |                          | 1.5               | 1.5       | 1.5                               | V                                  |       |
|                 |  |   | 4.5V     |                          | 3.15              | 3.15      | 3.15                              | V                                  |       |
|                 |  |   | 6.0V     |                          | 4.2               | 4.2       | 4.2                               | V                                  |       |
| $V_{IL}$        | Maximum LOW Level Input Voltage        |   | 2.0V     |                          | 0.5               | 0.5       | 0.5                               | V                                  |       |
|                 |  |   | 4.5V     |                          | 1.35              | 1.35      | 1.35                              | V                                  |       |
|                 |  |   | 6.0V     |                          | 1.8               | 1.8       | 1.8                               | V                                  |       |
| $V_{OH}$        | Minimum HIGH Level Output Voltage      | $V_{IN} = V_{IH}$ or $V_{IL}$<br>$ I_{OUT}  \leq 20 \mu\text{A}$                    | 2.0V     | 2.0                      | 1.9               | 1.9       | 1.9                               | V                                  |       |
|                 |  |   | 4.5V     | 4.5                      | 4.4               | 4.4       | 4.4                               | V                                  |       |
|                 |  |   | 6.0V     | 6.0                      | 5.9               | 5.9       | 5.9                               | V                                  |       |
|                 |  | $V_{IN} = V_{IH}$ or $V_{IL}$<br>$ I_{OUT}  \leq 6.0$ mA<br>$ I_{OUT}  \leq 7.8$ mA | 4.5V     | 4.2                      | 3.98              | 3.84      | 3.7                               | V                                  |       |
|                 |  |   | 6.0V     | 5.7                      | 5.48              | 5.34      | 5.2                               | V                                  |       |
|                 |  |   |          |                          |                   |           |                                   |                                    |       |
| $V_{OL}$        | Maximum LOW Level Output Voltage       | $V_{IN} = V_{IH}$ or $V_{IL}$<br>$ I_{OUT}  \leq 20 \mu\text{A}$                    | 2.0V     | 0                        | 0.1               | 0.1       | 0.1                               | V                                  |       |
|                 |  |   | 4.5V     | 0                        | 0.1               | 0.1       | 0.1                               | V                                  |       |
|                 |  |   | 6.0V     | 0                        | 0.1               | 0.1       | 0.1                               | V                                  |       |
|                 |  | $V_{IN} = V_{IH}$ or $V_{IL}$<br>$ I_{OUT}  \leq 6.0$ mA<br>$ I_{OUT}  \leq 7.8$ mA | 4.5V     | 0.2                      | 0.26              | 0.33      | 0.4                               | V                                  |       |
|                 |  |   | 6.0V     | 0.2                      | 0.26              | 0.33      | 0.4                               | V                                  |       |
|                 |  |   |          |                          |                   |           |                                   |                                    |       |
| $I_{IN}$        | Maximum Input Current                  | $V_{IN} = V_{CC}$ or GND  | 6.0V     |                          | $\pm 0.1$         | $\pm 1.0$ | $\pm 1.0$                         | $\mu\text{A}$                      |       |
| $I_{OZ}$        | Maximum 3-STATE Output Leakage Current | $V_{OUT} = V_{CC}$ or GND<br>$OC = V_{IH}$  | 6.0V     |                          | $\pm 0.5$         | $\pm 5.0$ | $\pm 10$                          | $\mu\text{A}$                      |       |
| $I_{CC}$        | Maximum Quiescent Supply Current       | $V_{IN} = V_{CC}$ or GND<br>$I_{OUT} = 0 \mu\text{A}$                               | 6.0V     |                          | 8.0               | 80        | 160                               | $\mu\text{A}$                      |       |
| $\Delta I_{CC}$ | Quiescent Supply Current per Input Pin | $V_{CC} = 5.5V$<br>$V_{IN} = 2.4V$<br>or 0.4V (Note 4)                              | OE       | 1.0                      | 1.5               | 1.8       | 2.0                               | mA                                 |       |
|                 |  |   | CLK      | 0.6                      | 0.8               | 1.0       | 1.1                               | mA                                 |       |
|                 |  |   | DATA     | 0.4                      | 0.5               | 0.6       | 0.7                               | mA                                 |       |

**Note 4:** For a power supply of  $5V \pm 10\%$  the worst-case output voltages ( $V_{OH}$  and  $V_{OL}$ ) occur for HC at 4.5V. Thus the 4.5V values should be used when designing with this supply. Worst-case  $V_{IH}$  and  $V_{IL}$  occur at  $V_{CC} = 5.5V$  and 4.5V respectively. (The  $V_{IH}$  value at 5.5V is 3.85V.) The worst-case leakage current ( $I_{IN}$ ,  $I_{CC}$ , and  $I_{OZ}$ ) occur for CMOS at the higher voltage and so the 6.0V values should be used.

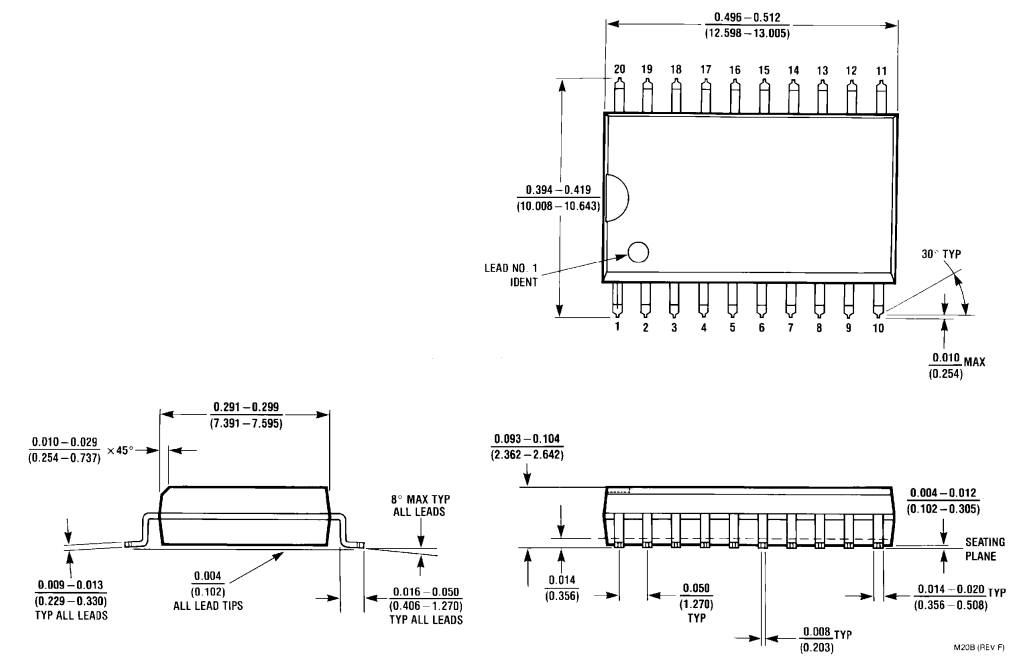
| AC Electrical Characteristics   |   |  |                        |                    |                   |      |       |     |    |
|---|---|--|------------------------|--------------------|-------------------|------|-------|-----|----|
| $V_{CC} = 5V, T_A = 25^\circ C, t_r = t_f = 6 \text{ ns}$   |   |  |                        |                    |                   |      |       |     |    |
| Symbol  | Parameter   | Conditions   | Typ                    | Guaranteed Limit   | Units             |      |       |     |    |
| $f_{MAX}$   | Maximum Operating Frequency                           |  | 60                     | 33                 | MHz               |      |       |     |    |
| $t_{PHL}, t_{PLH}$  | Maximum Propagation Delay, Clock to Q                 | $C_L = 45 \text{ pF}$                              | 17                     | 27                 | ns                |      |       |     |    |
| $t_{PZH}, t_{PZL}$  | Maximum Output Enable Time                            | $R_L = 1 \text{ k}\Omega$<br>$C_L = 45 \text{ pF}$ | 19                     | 28                 | ns                |      |       |     |    |
| $t_{PHZ}, t_{PLZ}$  | Maximum Output Disable Time                           | $R_L = 1 \text{ k}\Omega$<br>$C_L = 5 \text{ pF}$  | 14                     | 25                 | ns                |      |       |     |    |
| $t_S$   | Minimum Setup Time, Data to Clock                     |  | 10                     | 12                 | ns                |      |       |     |    |
| $t_H$   | Minimum Hold Time, Clock to Data                      |  | -3                     | 5                  | ns                |      |       |     |    |
| $t_W$   | Minimum Pulse Clock Width                             |  | 8                      | 15                 | ns                |      |       |     |    |
| AC Electrical Characteristics   |   |  |                        |                    |                   |      |       |     |    |
| $V_{CC} = 2.0 - 6.0V, C_L = 50 \text{ pF}, t_r = t_f = 6 \text{ ns}$ (unless otherwise specified) |   |  |                        |                    |                   |      |       |     |    |
| Symbol  | Parameter   | Conditions   | $V_{CC}$               | $T_A = 25^\circ C$ |                   |      | Units |     |    |
|   |   |  |                        | Typ                | Guaranteed Limits |      |       |     |    |
| $f_{MAX}$   | Maximum Operating Frequency                           | $C_L = 50 \text{ pF}$                              | 2.0V                   |                    | 33                | 28   | 23    | MHz |    |
|   |   |  | 4.5V                   |                    | 30                | 24   | 20    | MHz |    |
|   |   |  | 6.0V                   |                    | 35                | 28   | 23    | MHz |    |
| $t_{PHL}, t_{PLH}$  | Maximum Propagation Delay, Clock to Q                 | $C_L = 50 \text{ pF}$                              | 2.0V                   | 18                 | 30                | 38   | 45    | ns  |    |
|   |   |  | $C_L = 150 \text{ pF}$ | 2.0V               | 51                | 155  | 194   | 233 | ns |
|   |   |  | $C_L = 50 \text{ pF}$  | 4.5V               | 13                | 23   | 29    | 35  | ns |
|   |   |  | $C_L = 150 \text{ pF}$ | 4.5V               | 19                | 31   | 47    | 47  | ns |
|   |   |  | $C_L = 50 \text{ pF}$  | 6.0V               | 12                | 20   | 25    | 30  | ns |
| $t_{PZH}, t_{PZL}$  | Maximum Output Enable Time                            | $R_L = 1 \text{ k}\Omega$                          | $C_L = 50 \text{ pF}$  | 2.0V               | 22                | 30   | 38    | 45  | ns |
|   |   |  | $C_L = 150 \text{ pF}$ | 2.0V               | 59                | 180  | 225   | 270 | ns |
|   |   |  | $C_L = 50 \text{ pF}$  | 4.5V               | 14                | 28   | 35    | 42  | ns |
|   |   |  | $C_L = 150 \text{ pF}$ | 4.5V               | 20                | 36   | 45    | 54  | ns |
|   |   |  | $C_L = 50 \text{ pF}$  | 6.0V               | 12                | 24   | 30    | 36  | ns |
| $t_{PHZ}, t_{PLZ}$  | Maximum Output Disable Time                           | $R_L = 1 \text{ k}\Omega$                          | $C_L = 50 \text{ pF}$  | 2.0V               | 15                | 30   | 38    | 45  | ns |
|   |   |  | 4.5V                   | 12                 | 25                | 31   | 38    | ns  |    |
|   |   |  | 6.0V                   | 10                 | 21                | 27   | 32    | ns  |    |
| $t_S$   | Minimum Setup Time<br>Data to Clock                   |  | 2.0V                   | 6                  | 12                | 15   | 18    | ns  |    |
|   |   |  | 4.5V                   |                    | 20                | 25   | 30    | ns  |    |
|   |   |  | 6.0V                   |                    | 17                | 21   | 25    | ns  |    |
| $t_H$   | Minimum Hold Time<br>Clock to Data                    |  | 2.0V                   | -1                 | 5                 | 6    | 8     | ns  |    |
|   |   |  | 4.5V                   |                    | 0                 | 0    | 0     | ns  |    |
|   |   |  | 6.0V                   |                    | 0                 | 0    | 0     | ns  |    |
| $t_{THL}, t_{TLH}$  | Maximum Output Rise<br>and Fall Time                  | $C_L = 50 \text{ pF}$                              | 2.0V                   | 6                  | 12                | 15   | 18    | ns  |    |
|   |   |  | 4.5V                   | 7                  | 12                | 15   | 18    | ns  |    |
|   |   |  | 6.0V                   | 6                  | 10                | 13   | 15    | ns  |    |
| $t_W$   | Minimum Clock Pulse Width                             |  | 2.0V                   | 30                 | 15                | 20   | 24    | ns  |    |
|   |   |  | 4.5V                   | 9                  | 16                | 20   | 24    | ns  |    |
|   |   |  | 6.0V                   | 8                  | 14                | 18   | 20    | ns  |    |
| $t_r, t_f$  | Maximum Clock Input Rise<br>and Fall Time             |  | 2.0V                   |                    | 1000              | 1000 | 1000  | ns  |    |
|   |   |  | 4.5V                   |                    | 500               | 500  | 500   | ns  |    |
|   |   |  | 6.0V                   |                    | 400               | 400  | 400   | ns  |    |
| $C_{PD}$  | Power Dissipation Capacitance<br>(Note 5) (per latch) | OC = VCC   |                        | 5                  |                   |      |       | pF  |    |
|   |   | OC = GND   |                        | 58                 |                   |      |       | pF  |    |
| $C_{IN}$  | Maximum Input Capacitance                             |  |                        | 5                  | 10                | 10   | 10    | pF  |    |

## AC Electrical Characteristics (Continued)

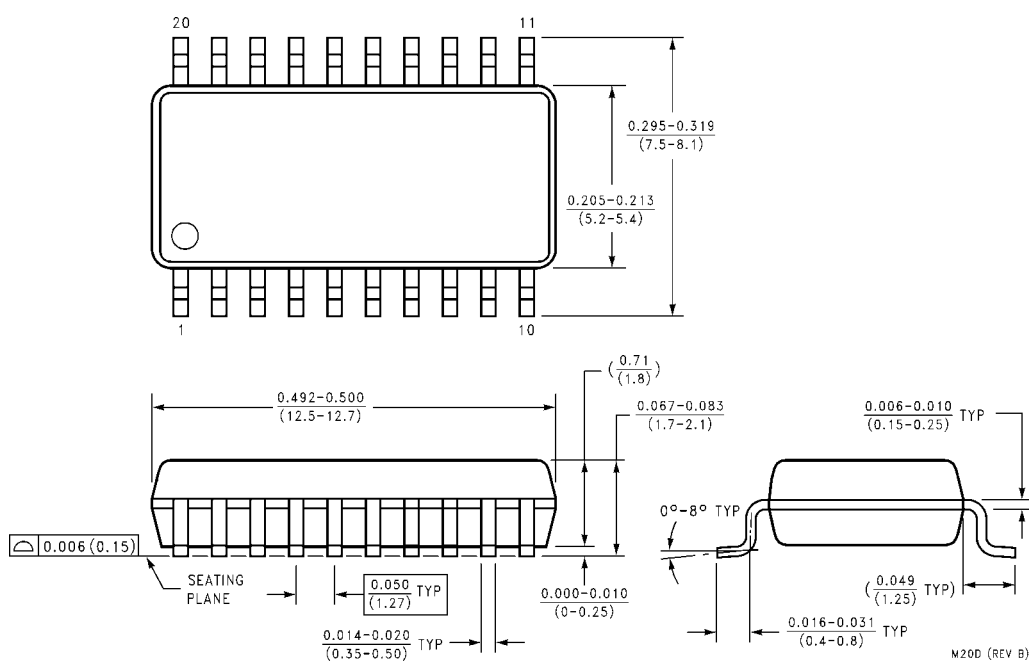
| Symbol           | Parameter                  | Conditions | V <sub>CC</sub> | T <sub>A</sub> = 25°C |                   | T <sub>A</sub> = -40 to 85°C | T <sub>A</sub> = -55 to 125°C | Units |
|------------------|----------------------------|------------|-----------------|-----------------------|-------------------|------------------------------|-------------------------------|-------|
|                  |                            |            |                 | Typ                   | Guaranteed Limits |                              |                               |       |
| C <sub>OUT</sub> | Maximum Output Capacitance |            |                 | 15                    | 20                | 20                           | 20                            | pF    |

**Note 5:** C<sub>PD</sub> determines the no load dynamic power consumption,  $P_D = C_{PD} V_{CC}^2 f + I_{CC} V_{CC}$ , and the no load dynamic current consumption,  $I_S = C_{PD} V_{CC} f + I_{CC}$ .

**Physical Dimensions** inches (millimeters) unless otherwise noted

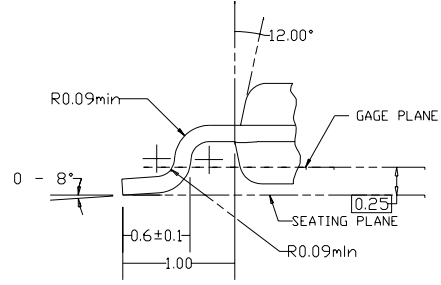
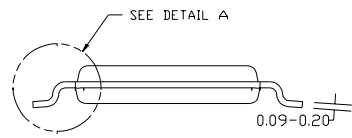
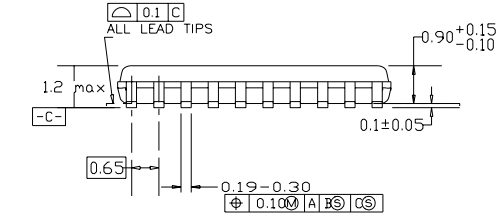
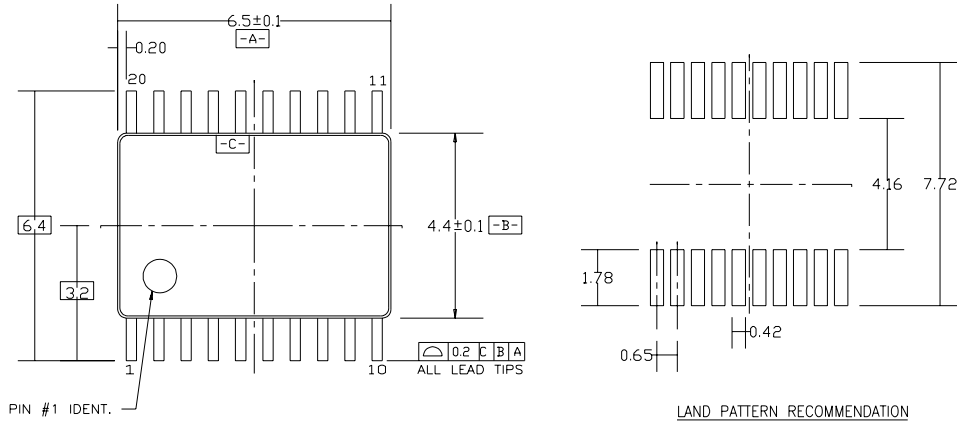


**20-Lead Small Outline Integrated Circuit (SOIC), JEDEC MS-013, 0.300" Wide  
Package Number M20B**



**20-Lead Small Outline Package (SOP), EIAJ TYPE II, 5.3mm Wide  
Package Number M20D**

**Physical Dimensions** inches (millimeters) unless otherwise noted (Continued)

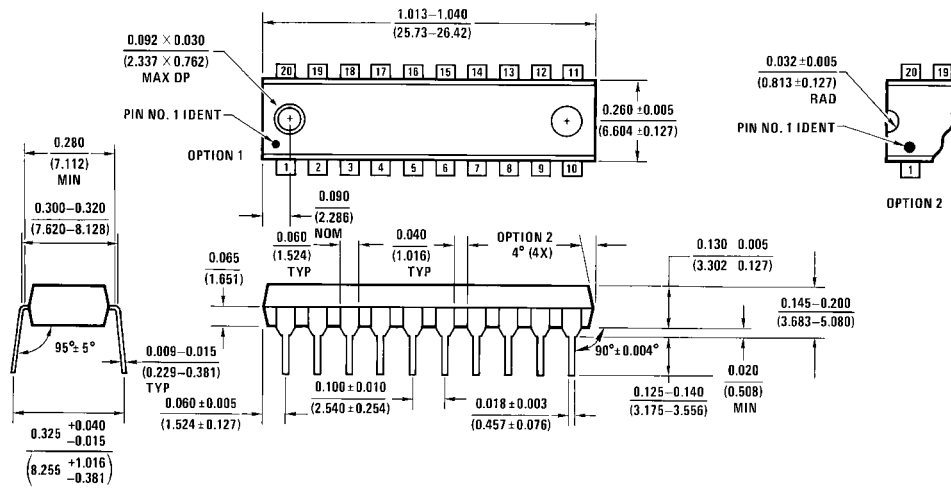


DIMENSIONS ARE IN MILLIMETERS

- NOTES:
- A. CONFORMS TO JEDEC REGISTRATION MO-153, VARIATION AC, REF NOTE 6, DATE 7/93.
  - B. DIMENSIONS ARE IN MILLIMETERS.
  - C. DIMENSIONS ARE EXCLUSIVE OF BURRS, MOLDS FLASH, AND TIE BAR EXTRUSIONS.
  - D. DIMENSIONS AND TOLERANCES PER ANSI Y14.5M, 1982.

**20-Lead Thin Shrink Small Outline Package (TSSOP), JEDEC MO-153, 4.4mm Wide Package Number MTC20**

**Physical Dimensions** inches (millimeters) unless otherwise noted (Continued)



**20-Lead Plastic Dual-In-Line Package (PDIP), JEDEC MS-001, 0.300" Wide  
Package Number N20A**

**LIFE SUPPORT POLICY**

FAIRCHILD'S PRODUCTS ARE NOT AUTHORIZED FOR USE AS CRITICAL COMPONENTS IN LIFE SUPPORT DEVICES OR SYSTEMS WITHOUT THE EXPRESS WRITTEN APPROVAL OF THE PRESIDENT OF FAIRCHILD SEMICONDUCTOR CORPORATION. As used herein:

1. Life support devices or systems are devices or systems which, (a) are intended for surgical implant into the body, or (b) support or sustain life, and (c) whose failure to perform when properly used in accordance with instructions for use provided in the labeling, can be reasonably expected to result in a significant injury to the user.
2. A critical component in any component of a life support device or system whose failure to perform can be reasonably expected to cause the failure of the life support device or system, or to affect its safety or effectiveness.

[www.fairchildsemi.com](http://www.fairchildsemi.com)