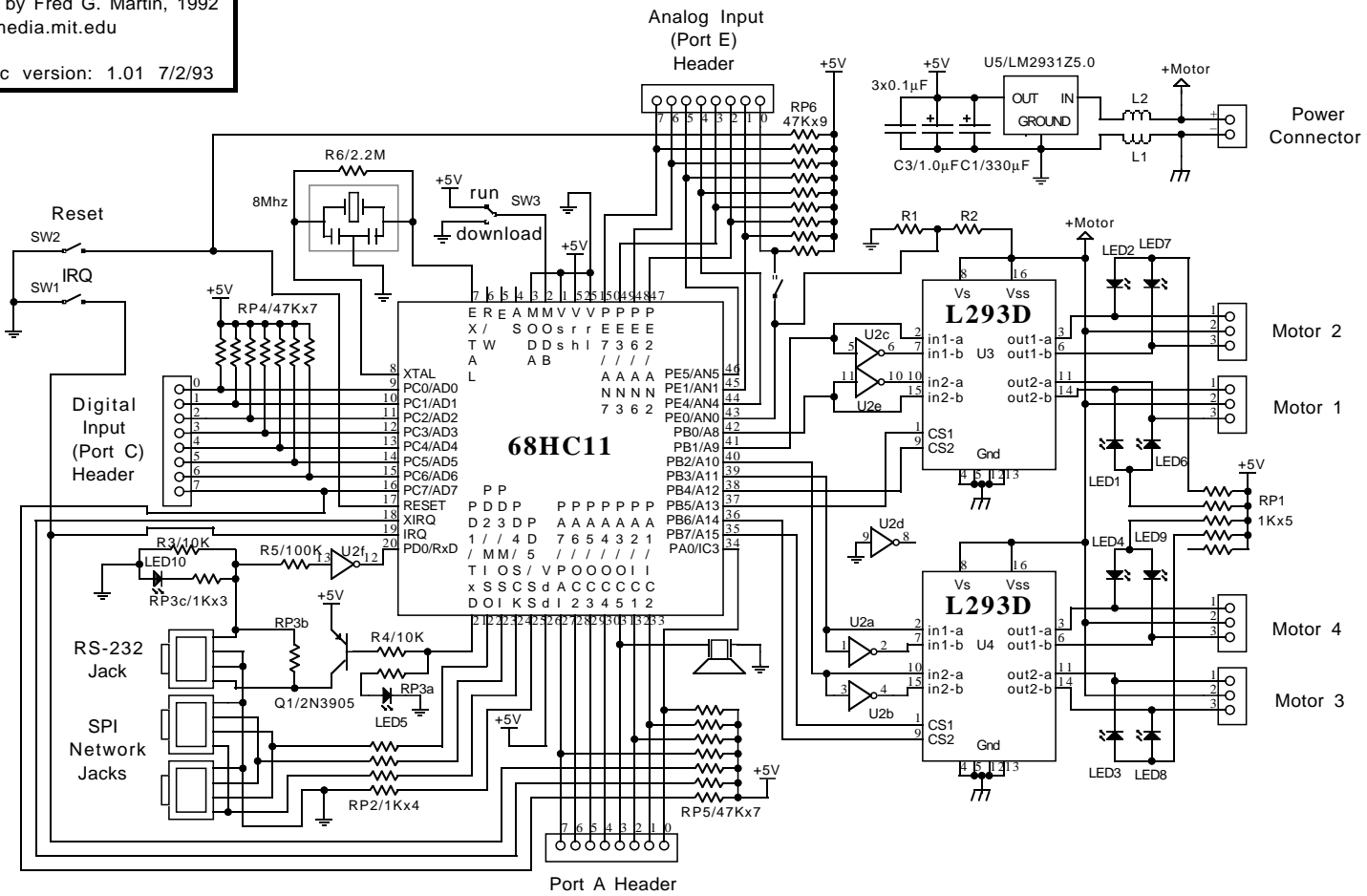


Mini Board 2.0 Robotic Controller  
 designed by Fred G. Martin, 1992  
 fredm@media.mit.edu  
 schematic version: 1.01 7/2/93

37



B Mini Board Schematic