
Pacesetter
2024/2036 Top Assembly

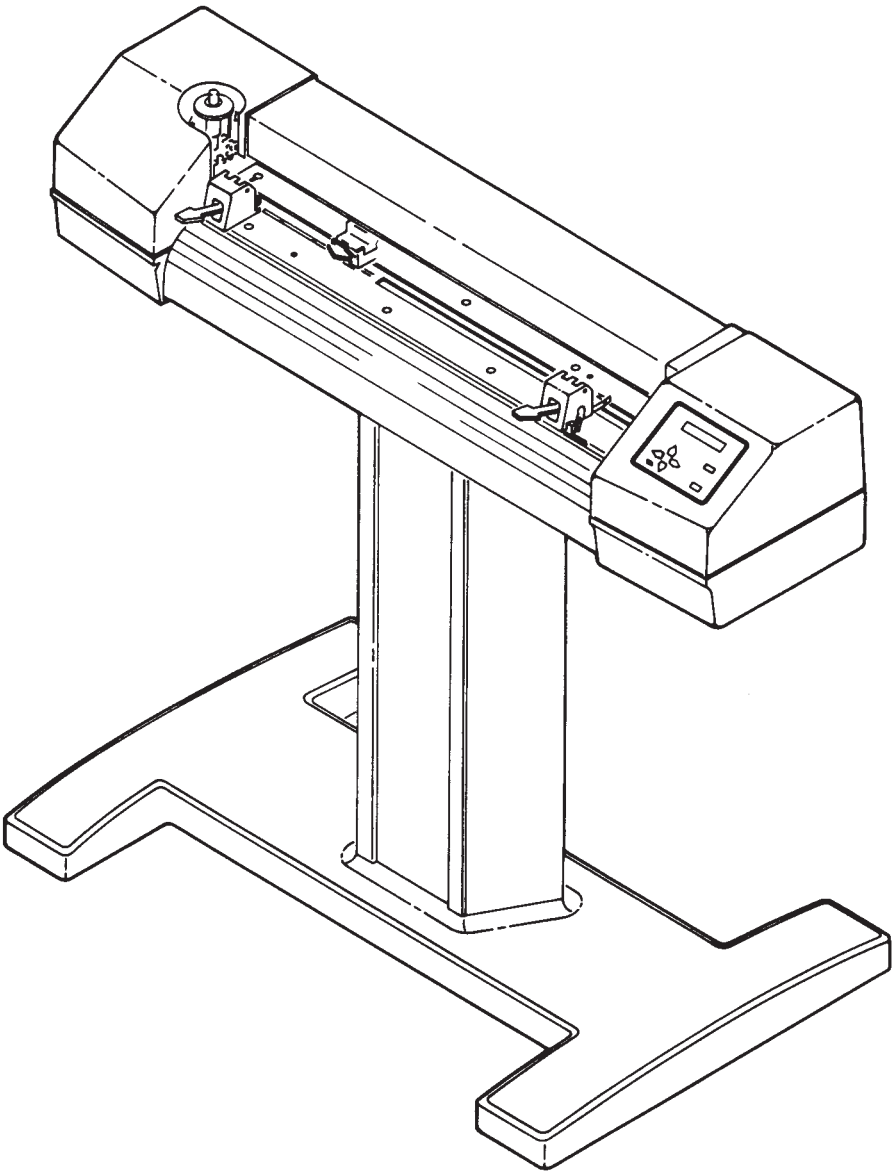


Figure 5-1. Top Assembly

Final Assembly

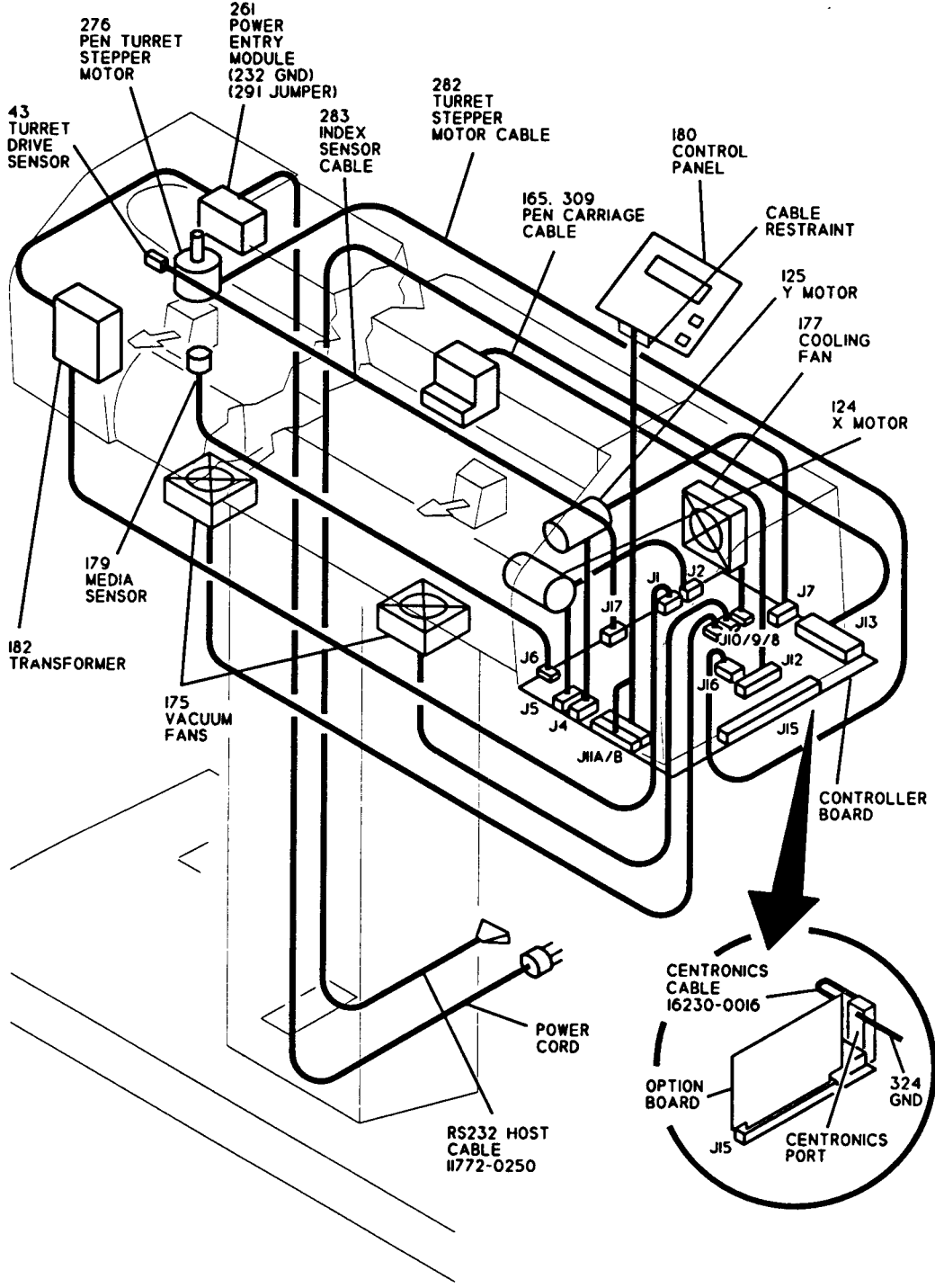


Figure 5-2. Final Assembly (Sheet 1 of 8)

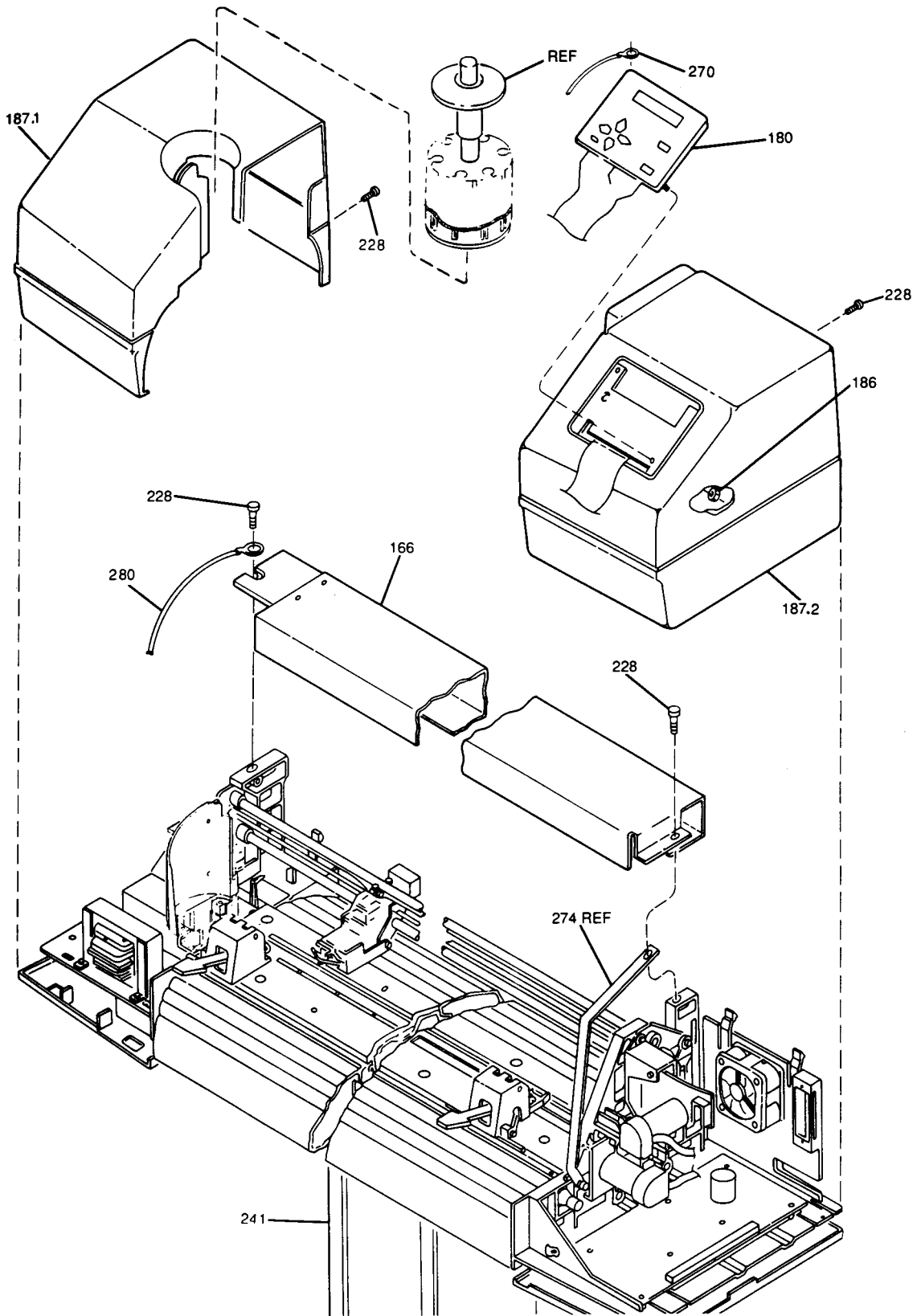


Figure 5-2. Final Assembly (Sheet 2 of 8)

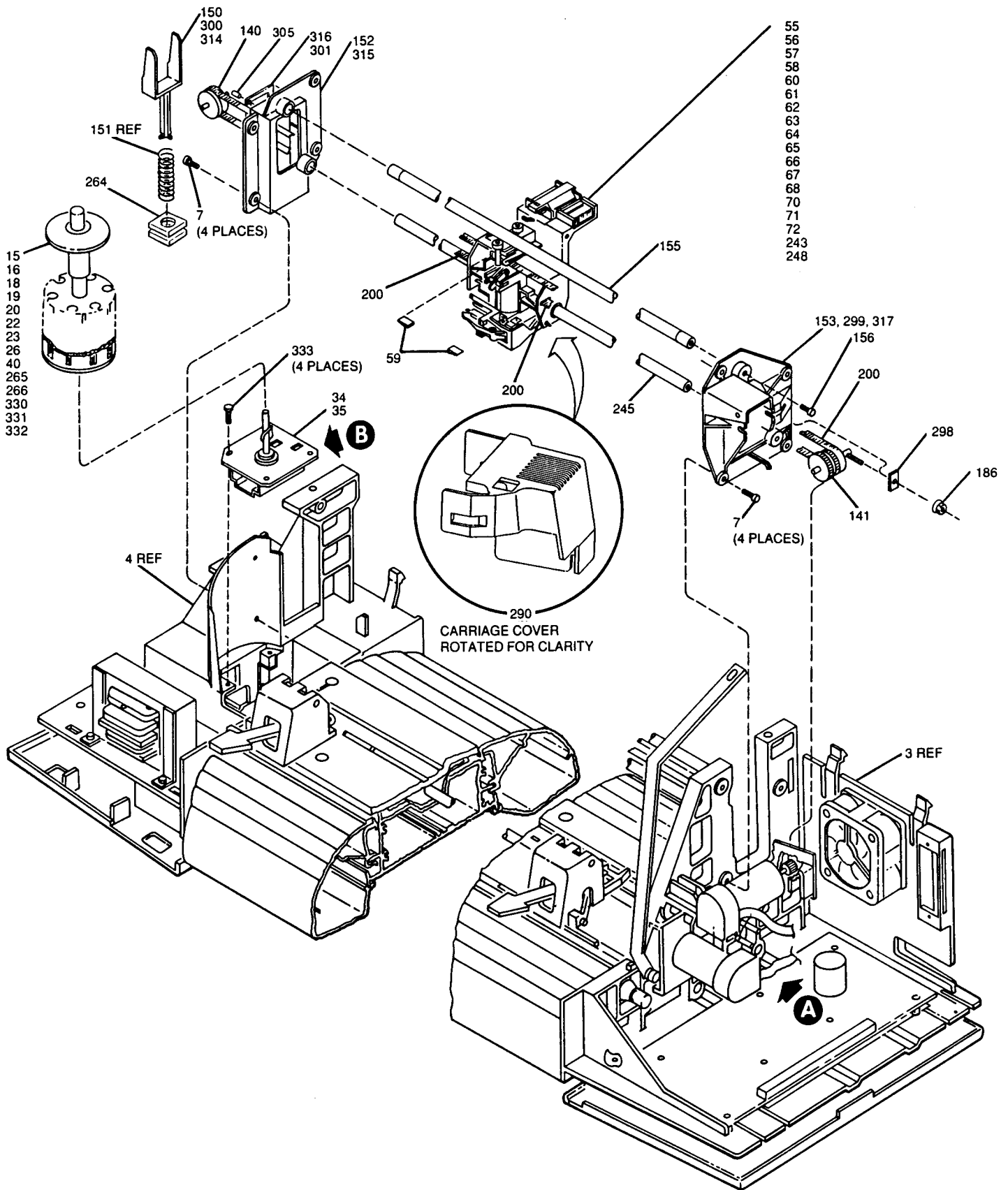


Figure 5-2. Final Assembly (Sheet 3 of 8)

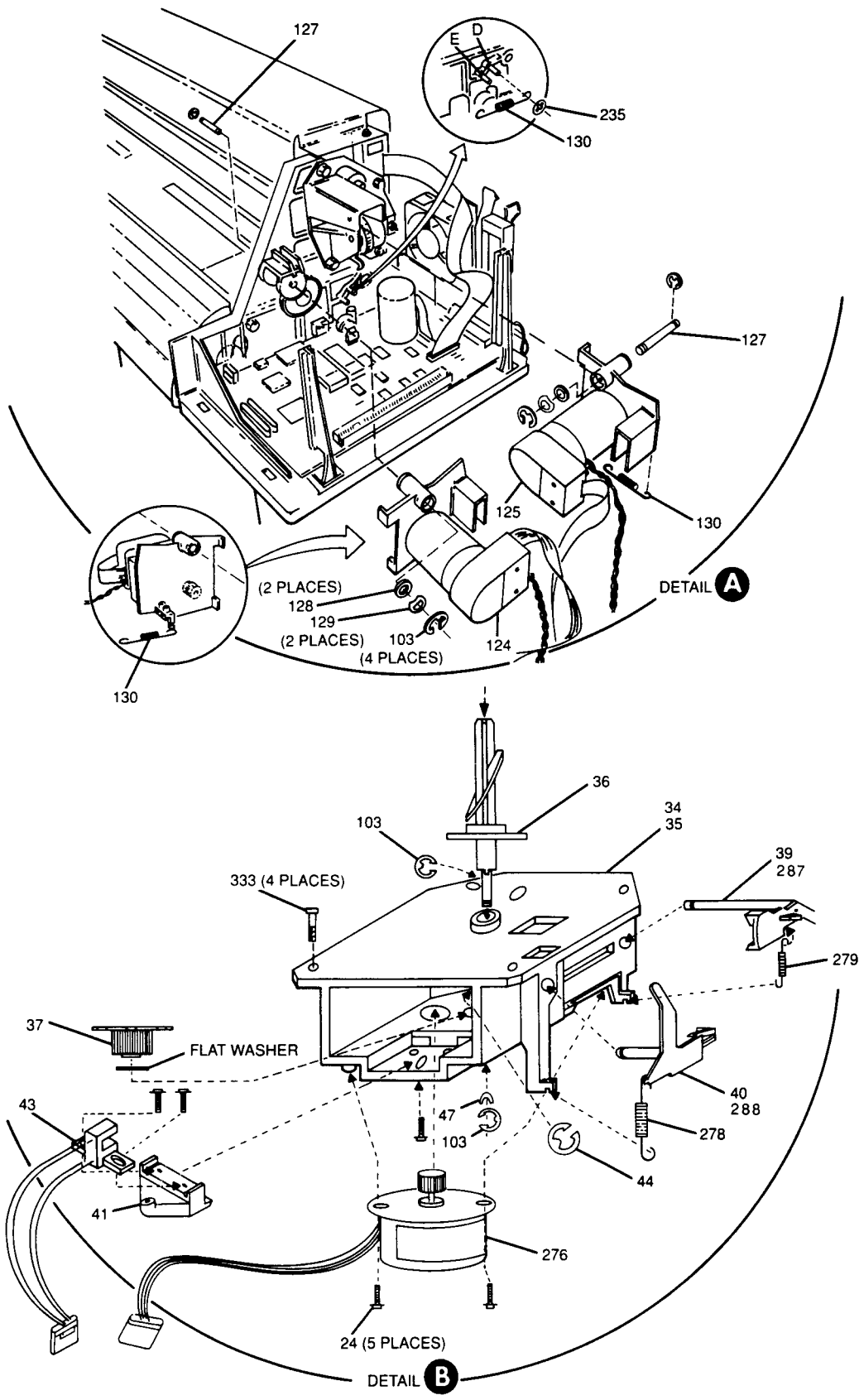


Figure 5-2. Final Assembly (Sheet 4 of 8)

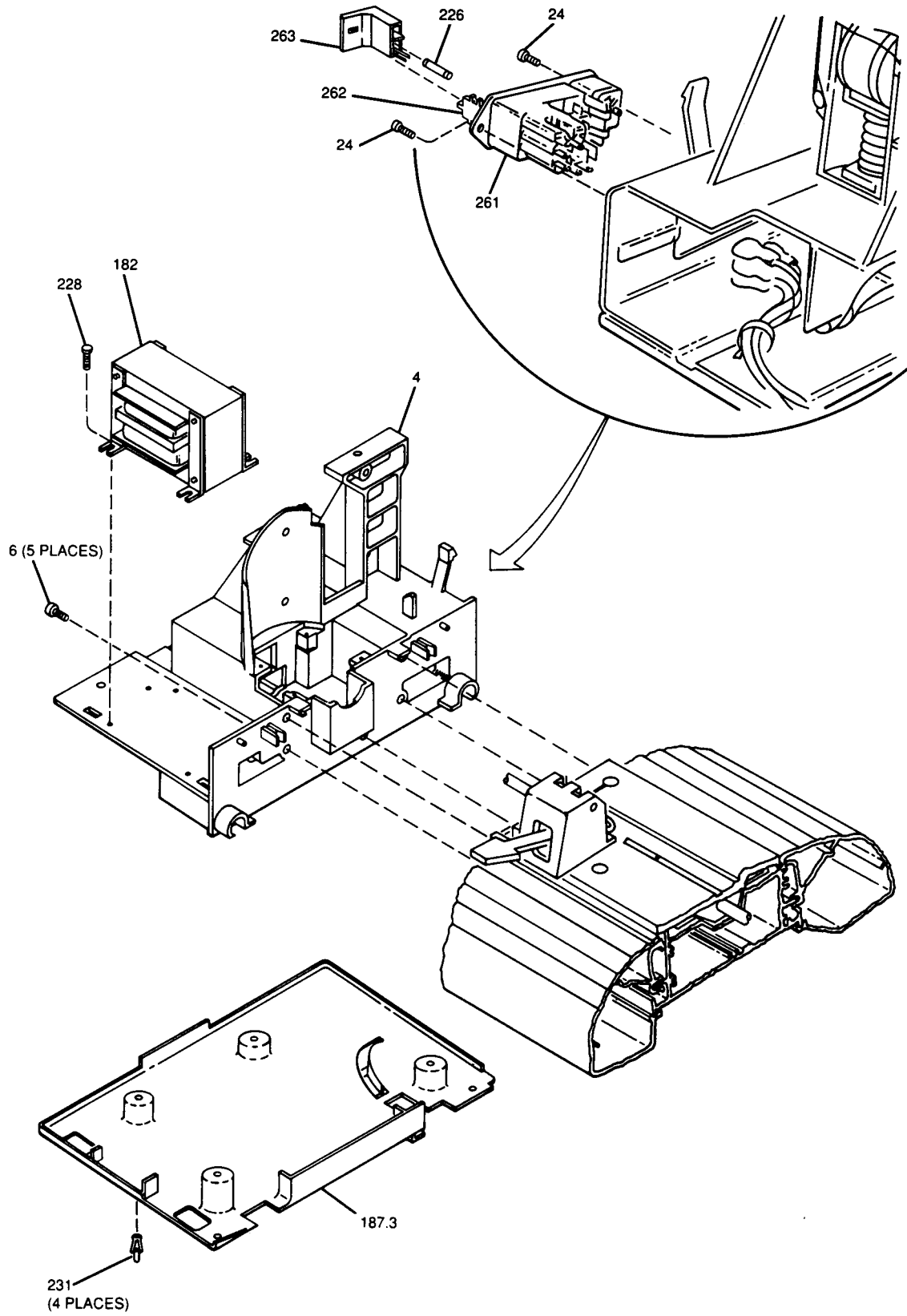


Figure 5-2. Final Assembly (Sheet 5 of 8)

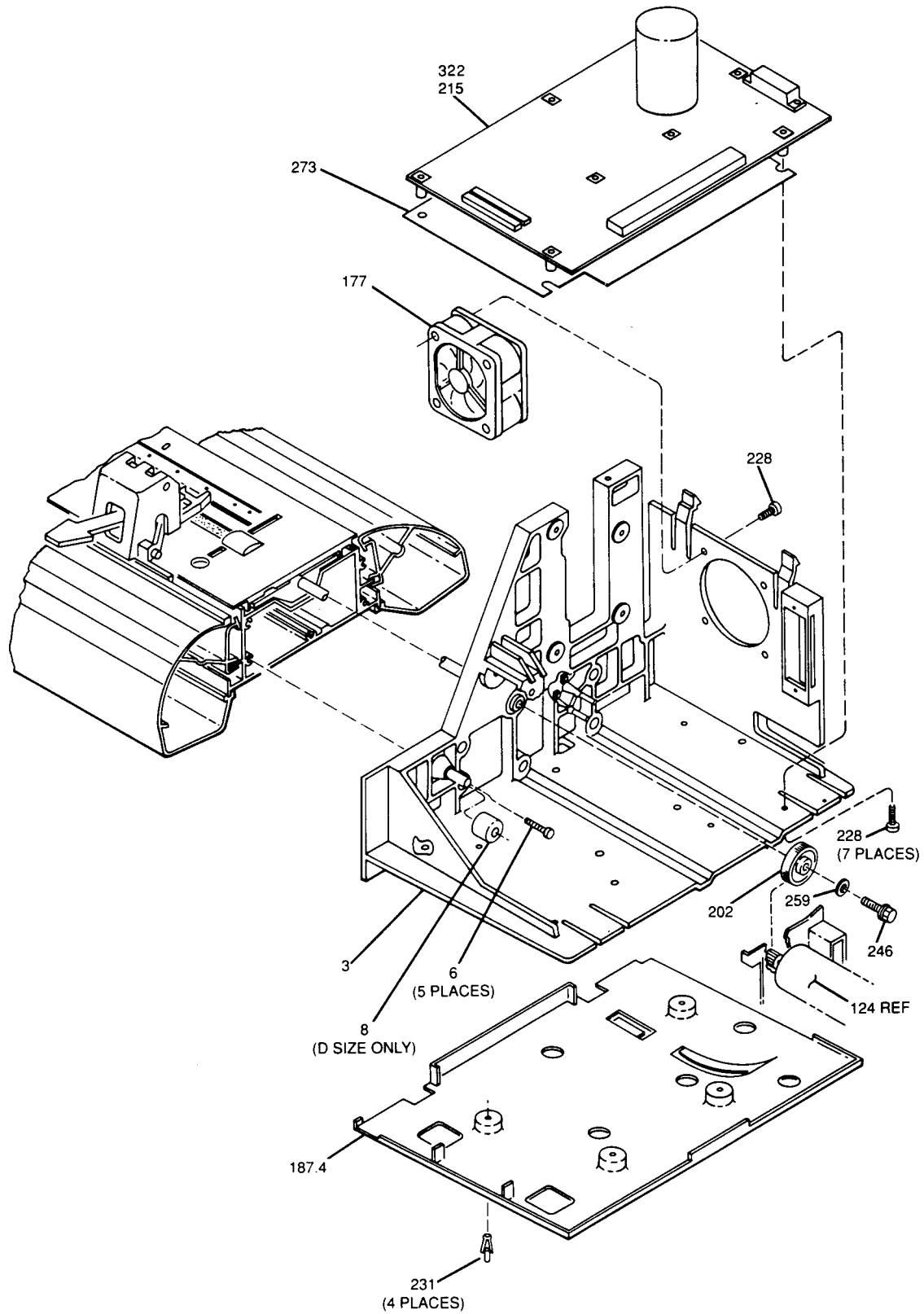


Figure 5-2. Final Assembly (Sheet 6 of 8)

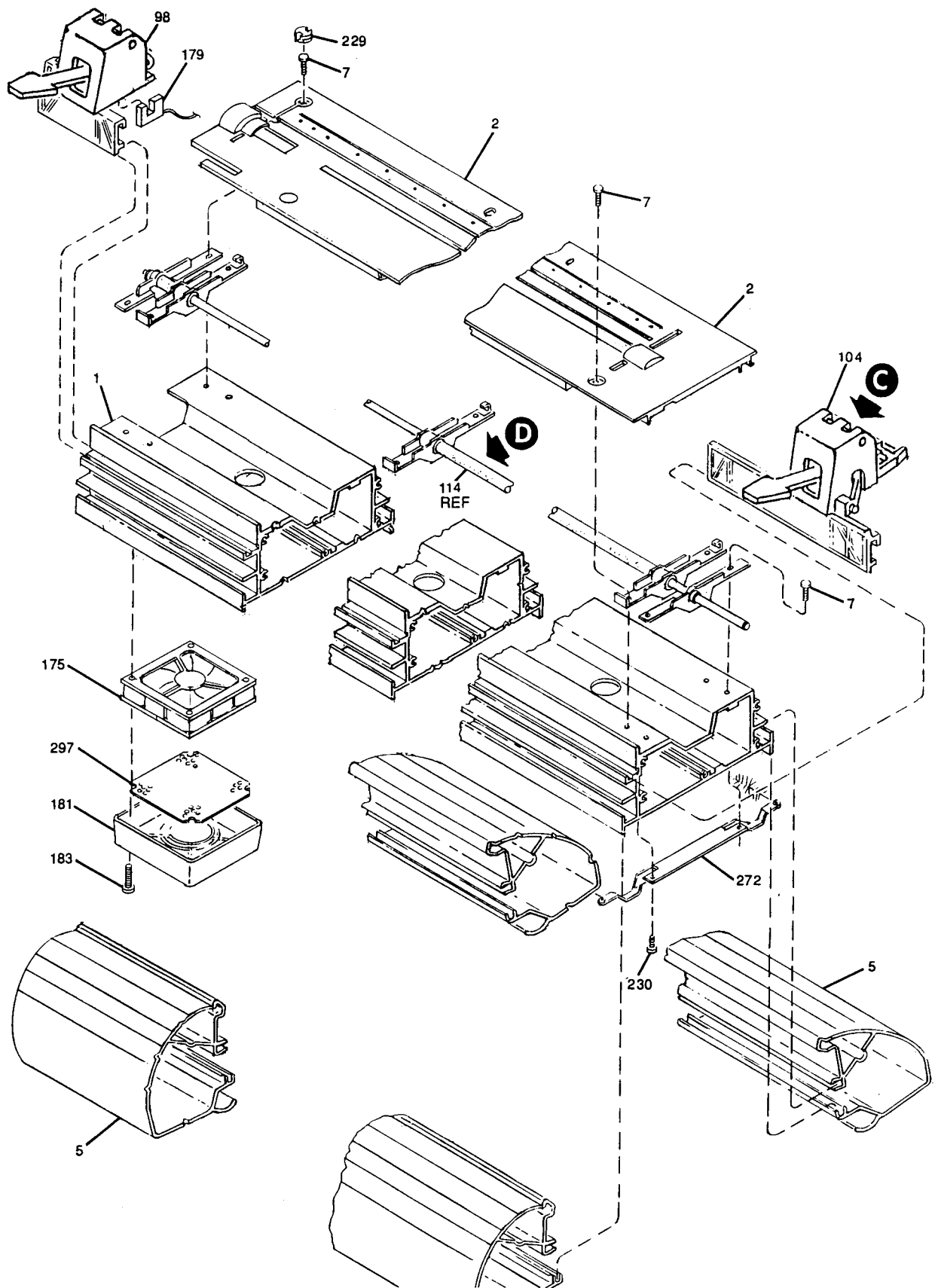


Figure 5-2. Final Assembly (Sheet 7 of 8)

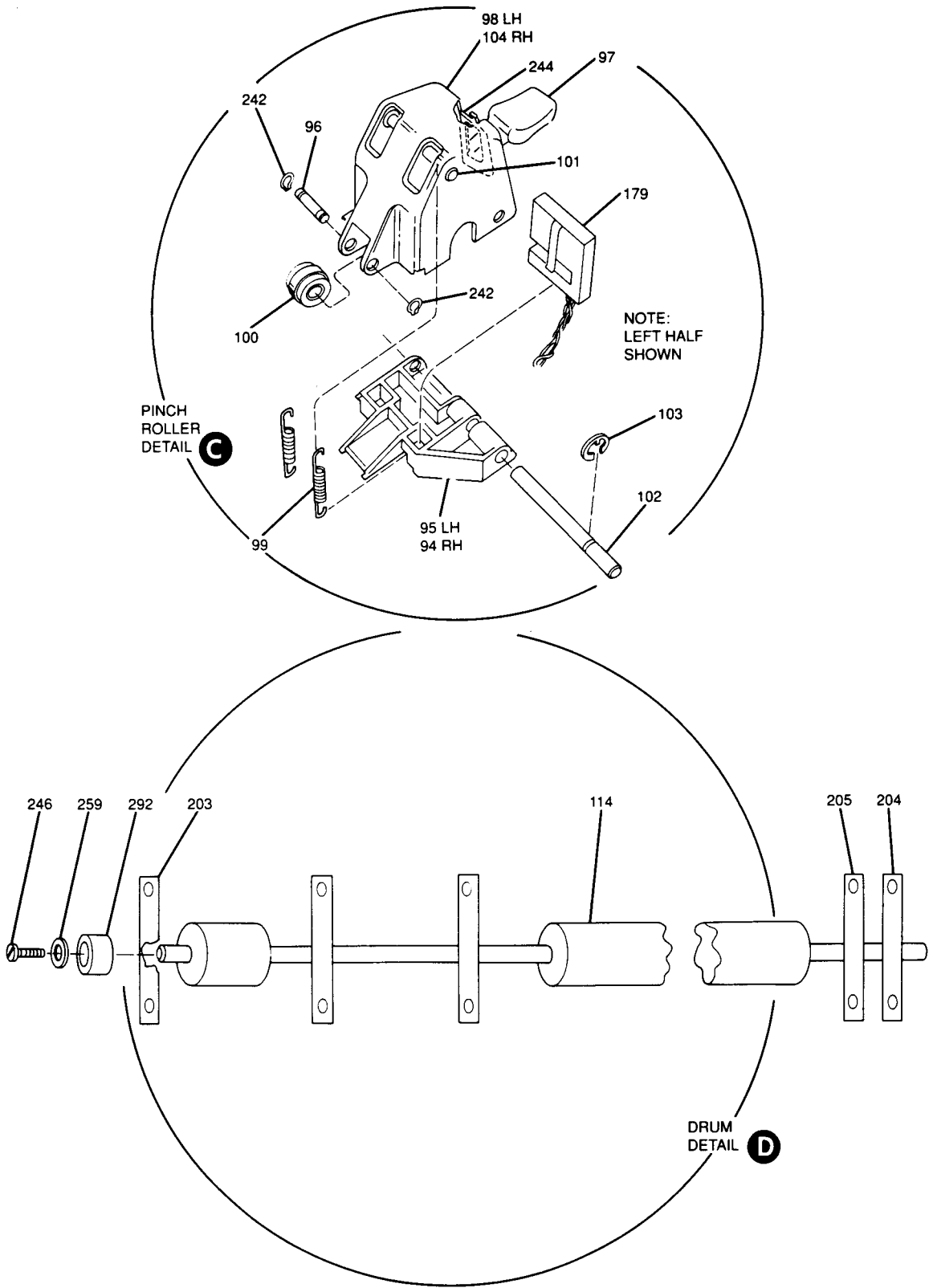


Figure 5-2. Final Assembly (Sheet 8 of 8)

Item No.	Qty Reqd	Part Number	Description
		17617-0017	ASSY, 2024 STD. (PACESETTER D STD), REV 18
		17616-0018	ASSY, 2036 STD (PACESETTER E STD), REV 18
1	1	16652-0015	CHANNEL, MACHINED, D SIZE
1	1	16653-0014	CHANNEL, MACHINED, E SIZE
2	1	15881-0010	PLATEN, PRIMARY, MOLDED D SIZE
2	1	18280-0011	PLATEN, PRIMARY, MACHINED, E SIZE
3	1	15712-0015	SUPPORT, SIDE, RH MOLDED
4	1	15713-0014	SUPPORT, SIDE, LH MOLDED
5	2	16432-0053	PLATEN, 39.46, EXTENSION, EXTRUSION, D SIZE
5	2	16432-0038	PLATEN, 28.58 EXTENSION, EXTRUSION, E SIZE
6	10	16101-3669	SCR, SEMS, THRD FRM, 10-32 X 1 1/2, HEX
7	27	10040-2932	SCRW, SEMS, HEXHDSLOT, 8-32X1/2, SQ.CONE
8	1	16154-0018	STOP, MOTOR
15	1	16017-0015	COVER, TURRET
16	1	16018-0014	FRAME, PEN, UPPER
18	8	16642-0018	FINGER, PEN TURRET
19	0	16019-0013	FRAME, PEN, LOWER
20	0	16020-0010	LEVER, CAP PEN
21NI	8	10482-0030	PEN CAP, STANDARD
22	0	16016-0016	BASE, TURRET
23	16	648100-6	PEN CAP LIQUID INK
24	9	16098-2476	SCR, SEMS, HILO, 6-19X3/8, HEXHD, SLOT
26	1	18363-0011	SPRING, EXTENSION, PEN FORCE, REWORK
34	1	18362-0012	FRAME, TURRET DRIVE, STPR MTR REWORK
35	0	17476-0017	FRAME, TURRET DRIVE, STEPPER MOTOR
36	1	16472-0013	SHAFT, TURRET, STEPPER MOTOR DRIVE
37	1	16469-0018	GEAR, POSITIONER, STEPPER MTRTURRETDR
39	0	17505-0012	LEVER, INDEXER, TURRET DRIVE
40	0	17507-0010	LEVER, MOTION AMP, TURRET DRIVE
41	1	17506-0011	BLOCK, SENSOR, TURRET DRIVE
43	1	17641-0017	SENSOR, TURRET DRIVE
44	1	10042-0207	RING, RET, EXT, .207 FREE DIA, .025 THK
47	2	10052-1632	WSHR, CRSNTSPR, .203ID, .322OD, .005 THK
48NI	1	14287-2472	SCR, CAP, SKTHD, HEX, 6-32X3/8, ALY STL
55	1	16044-0012	ASSY, CARRIAGE, PACESETTER
56	0	17035-0011	SPRING, EXTRUSION, PEN FORCE, 10 GRAMS
57	1	15795-0015	CARRIAGE, PEN, PACESETTER
58	1	15790-0010	LEVER, BEARING PRELOAD, CARRIAGE
59	2	15789-0013	CLIP, BELT, CARRIAGE, PACESETTER
60	1	15792-0018	LEVER, PIVOT SOLENOID CARRIAGE
61	1	15791-0019	LINK, PIVOT, SOLENOID, CARRIAGE
62	1	16641-0019	FINGER, PEN CARRIAGE
63	1	15793-0017	SHAFT, PIVOT, CARRIAGE, PACESETTER
64	1	17033-0013	SPRING, EXTENSION, AXIAL PRELOAD
65	1	16042-0014	SPRING, RETURN, FINGER
66	1	16041-0015	SPRING, LEVER, PRELOAD
67	1	16263-0016	ASSY, SENSOR/SOLENOID
68	2	16622-0012	BRG, RAD, DBLSHLD, SSTL, 5/16 OD, 1/8

Item No.	Qty Reqd	Part Number	Description
70	4	10043-0081	RING, RET, EXT, .089 FREE DIA, .025 THK
71	1	10033-1644	SCREW, MACH, PAN HD, SLOTTED, 4-40X3/16
72	3	10325-0015	MOUNT, FIT CBL, ADH BK, 1.36W, .17H, NYL
94	1	17760-0012	SUPPORT, PINCH ROLLER (ZINC)RH
95	1	17761-0011	SUPPORT, PINCH ROLLER (ZINC)LH
96	2	15748-0013	PIN, PINCH, ROLLER (.775)
97	2	15747-0014	LEVER, PINCH ROLLER
98	1	15746-0015	HOUSING, PINCH ROLLER, LH
99	4	17743-0014	SPRING, EXTENSION, PINCH ROLLER
100	2	16136-0011	ROLLER, PINCH WHEEL
101	2	16897-0010	PIN, LEVER POT, PINCH ROLLER
102	2	16896-0011	PIN, PIVOT, PINCH ROLLER
103	12	10042-0181	RING, RET. EXT, .145 FREE DIA, .025 THK
104	1	15858-0019	HOUSING, PINCH ROLLER, RH
114	1	16951-0013	ASSY, DRUM, E SIZE
114	1	16952-0012	ASSY, DRUM, D SIZE
124	1	16359-0110	MOTOR ENCODER, X AXIS
125	1	16359-0219	MOTOR ENCODER, Y AXIS
127	2	15748-0070	PIN, PINCH ROLLER
128	2	11212-1751	WSHR, FLT, RND, SS, #10, .195/.375/.006
129	2	10052-1640	WSHR, CRSNTSPR, .203ID, .375OD, .010 THK
130	2	17770-0010	SPRING, EXTENSION, SERVO MOTOR
140	1	15763-0013	PULLEY, IDLER ASSY
141	1	15766-0010	ASSY, PULLEY/GEAR
150	0	16054-0019	BRACKET, TENSIONER
151	1	16055-0018	SPRING, BRACKET, TENSIONER
152	1	15349-0016	SUPPORT, CARRIAGE, LEFTSIDE
153	0	15350-0012	SUPPORT, CARRIAGE, RIGHT SIDE
155	1	16191-0039	SHAFT, CARRIAGE, D SIZE
155	1	16191-0054	SHAFT, CARRIAGE, E SIZE
156	2	14287-2936	SCR, CAP. SKTHD, HEX, 8-32X1/2, ALY STL
165	1	15992-0024	CABLE, FLEX, FLAT, 10 COND, D SIZE
165	1	15992-0016	CABLE, FLEX, FLAT, 10 COND, E SIZE
166	1	17742-0056	COVER, CARRIAGE, E SIZE
166	1	17742-0031	COVER, CARRIAGE, D SIZE
175	2	16099-1014	FAN ASSY, 24VDC, BALL BRG, 100CFM, 9W
177	1	16100-0013	FAN, ASSY, 24VDC, BALL BRG, 1 7CFM, 1 .4W
178NI	1	16958-0016	ASSY, LABEL SET, 20XX
179	1	16002-0012	SOURCE/SENSOR ASSY, TRANSMISSIVE
180	1	16015-0017	ASSY, CONTROL PANEL, MODEL 20XX
181	2	16134-0013	COVER, FAN
182	1	16207-0023	XFMR, PWR, PACESETTER, 48 INCH LEADS
183	4	17110-2585	SCR, MACH, HEXWSHR HD, 6-32x2, STL, ZINC
186	4	13703-0011	NUT, KEPS, FLT RIM CONCL, 4-40, STL, ZINC
187	1	17879-0010	END BELL SET, PACESETTER, REV 5
187.1	1	16250-0011	ASSY, ENDBELL, LEFT SIDE
187.2	1	16249-0015	ASSY, ENDBELL, RIGHT SIDE
187.3	1	16290-0013	COVER, BOTTOM, END BELL, LEFT
187.4	1	16292-0011	COVER, BOTTOM, END BELL, RIGHT

Item No.	Qty Reqd	Part Number	Description
200	1	15845-0015	BELT, DRIVE, CARRIAGE, E-SIZE
200	1	15846-0014	BELT, DRIVE, CARRIAGE, D-SIZE
202	1	16949-0018	GEAR, DRUM, D SIZE
202	1	16950-0014	GEAR, DRUM, E SIZE
203	1	15832-0010	ASSY, LEFT DRUM SUPPORT
204	1	15833-0019	ASSY, RIGHT DRUM SUPPORT
205	1	15834-0018	ASSY, CENTER DRUM SUPPORT
215	1	17930-0017	PCBA, PACESETTER CONTROLLER
226	1	12467-8004	FUSE, TYPE FST, TIME DLY, 800MA, 250V
228	10	16608-3378	SCR, HI-LO, 10-16X1/2, HEX WSHR HD
229	9	16297-0016	COVER, SCREW, PLATEN
230	9	10040-2502	SCRW, SEMS, HEXHDSLOT, 6-32X5/8, SQ.CONE
231	8	13963-0073	RIVET, PLSTC, BNDR HD, .156 HOLE DIA
232	1	16624-0010	GROUNDSTRAP ASSY, PWR MOD
235	2	16677-0032	RING, RET, CIRC, PUSH ON, 1/8 SHAFT DIA
236NI	1	16704-0013	LOOSE EQUIPMENT, 2036, 50/60 HZ (See listing)
236 NI	1	16705-0012	LOOSE EQUIPMENT, 2024, 50/60 HZ (See listing)
241	1	16706-0011	LOOSE PARTS, STAND ASSY, 2036 (See Fig. 5-3)
241	1	16707-0010	LOOSE PARTS, STAND ASSY, 2024 (See Fig. 5-3)
242	4	11112-0184	RET RING, EXT, .168FR DIA, .015THK, BER
243	1	16661-0014	LEVER, MOTION AMPLIFIER, CARRIAGE
244	2	16909-0016	BEZEL, HOUSING, PINCH ROLLER
245	1	16191-0096	SHAFT, CARRIAGE, E SIZE
245	1	16191-0070	SHAFT, CARRIAGE, D SIZE
246	3	17110-2932	SCR, MACH, HEXWSHR HD, 8-32X1/2
248	1	17031-0015	SPRING, EXTENSION, MOTION AMPLIFIER
259	1	11212-1439	WSHR, FLT, RND, SS, #8, .177/.500/.030
260NI	2	10042-0124	RING, RET, EXT. .094 FREE DIA, .015 THK
261	1	17234-1018	PWR ENTRY MODULE, 1 POLE, SW, FUSE HLDR
262	1	17234-4814	INSERT, VOLT SELECT, 100/120/220/240 V
263	1	17234-7064	FUSE DRAWER, 1 POLE, 5X20MM FUSE, BLK
264	3	17389-0013	SHIM, TENSIONER
265	1	17741-0016	SPRING, EXTENSION, TURRET, FINGER RET
266	1	697280-6	SPRING-PEN CAP
267NI	1	11212-1918	WSHR, FLT, RND, SS, #10, .203/.438/.032
270	1	17631-0019	ASSY, GND STRAP, CONTROL PANEL
272	1	17626-0016	BRACKET, CABLE, ANTI STATIC
273	1	17937-0010	PANEL, SHIELD. EMI
274	1	17628-0014	BRACKET, COVER, GROUND
275NI	6	17713-0010	RESTRAINT, CABLE
276	1	17517-0018	MOTOR, STEPPER, 36VDC
278	1	18331-0010	SPRING, ACTUATOR, TURRET DRKIVE
279	1	17623-0019	SPRING, EXTENSION, INDEX

Item No.	Qty Reqd	Part Number	Description
280	1	17846-0010	ASSY, GND STRAP, CARRIAGE COVER
281 NI	1	10853-1252	GSKT, RFI, 25POS, BRS, MODIFIED
282	1	17860-0011	CABLE ASSY, TURRET STEPPER
283	1	17861-0010	CABLE ASSY, INDEX SENSOR
284NI	1	17876-0013	LABEL, FUSE REPLACEMENT
287	1	17868-0013	LEVER, INDEXER, TURRET DRIVE, MACH
288	1	17869-0012	LEVER, MOTION AMP, TURRET DRIVE, MACH
289NI	2	13355-0509	CLIP, CBL RTNG, PLSTC, SNAP-IN, .500
290	1	17013-0017	COVER, CARRIAGE
291	1	17943-0012	CABLE, JUMPER, POWER ENTRY MODULE
292	1	17888-0019	LOCK, DRUM
293	0	17889-0018	LOCK, DRUM
294NI	3 FT	12860-0020	TAPE, PLSTC, TFE FILM, 2IN WIDE, SILCN
297	2	18196-0014	SCREEN, FAN COVER SUPPORT
298	1	18012-0016	PLATE, BEARING, GEAR PULLEY
299	1	18013-0015	BRACKET, RIGHT, MOD KIT
300	1	18018-0010	BRACKET, REWORK, TENSIONER
301	1	18010-0018	PLATE, ADJ, PULLEY DRIVE BELT
303NI	1	18007-0013	CLIP, PANEL, WIRE TIE HOLDER, 3/4W, BLK
304NI	2	18006-0238	CLIP, CORD, ADH BACK, PLSTC, STYLE C2A
305	2	12730-1679	SCR, SET, HEX SKT, 4-40X3/8, FLT PT
307NI	1	18126-0019	LABEL, CAUTION, HAIR AND HANDS OFF
308NI	2	10040-2890	SCRW, SEMS, HEXHDSLOT, 8-32X1/4, SQCONE
309	0	18238-0113	ASSY, CABLE, FLAT FLEXIBLE, D SIZE
309	0	18238-0212	ASSY, CABLE, FLAT FLEXIBLE, E SIZE
310NI	2	12245-0158	FERRITE SHLD, SPLIT, FOR 2.0IN WIDE
311NI	2	12245-0018	CLIP, FLAT CBL SHLD
312NI	2 FT	14261-0013	TAPE, URETHANE, DBL BK ADH, .063X1"WIDE
313NI	1	18204-2069	TIE, CBL, 1.75 BDL DIA, .148DIA MTG
314	0	18041-0011	FORK, BELT TENSIONER, MOLDED
315	0	18040-0012	SUPPORT, CARRIAGE, LEFTSIDE
316	0	18042-0010	PLATE, ADJ DRIVE BELT
317	0	18063-0014	SUPPORT, CARRIAGE, RIGHT END
318NI	1	1 2246-0025	FERRITE SHLD, FOR 1 .3IN FLAT RBN CBL
319NI	1	12245-5058	CASE, PLSTC, FOR 2IN FLT CBL SHLD BEAD
320NI	1	17756-0257	FERRITE BEAD PAIR, W/CLAMP, FOR 1/4DIA
321 NI	1	18218-0018	COVER, OPENING, CONNECTOR
322	0	18246-0014	PCBA, PACESETTER CONTROLLER
323NI	0.25 FT	15516-0104	TAPE, EMI SHLD, CU, W/COND ASHSV, 1"WIDE
324	1	18278-0015	ASSY, GND STRAP, CENTRONIC CABLE/COVER
326NI	2	13247-1855	SPCR, RND, 1/4OD, #4, 1/4 LG, ALUM, UNTHRD
327NI	2	11151-1721	SCREW, MACH, PAN HD, XREC, 4-40X7/8, STL
330	1	18306-0011	FRAME, LOWER PEN, REWORK
331	1	18305-0012	BASE, TURRET, REWORK
332	8	18304-0013	LEVER, PENCAP, REWORK
333	4	16608-2479	SCR, HI-LO, 6-19X3/8, HEX WSHR HD, BLUNT
334NI	2	10328-0020	TIE, CBL, NYL, 1 1/4" BDL, 5 1/2" LG
335NI	2	10042-0090	RING, RET, EXT, .073 FREE DIA, .015 THK

Stand Assembly

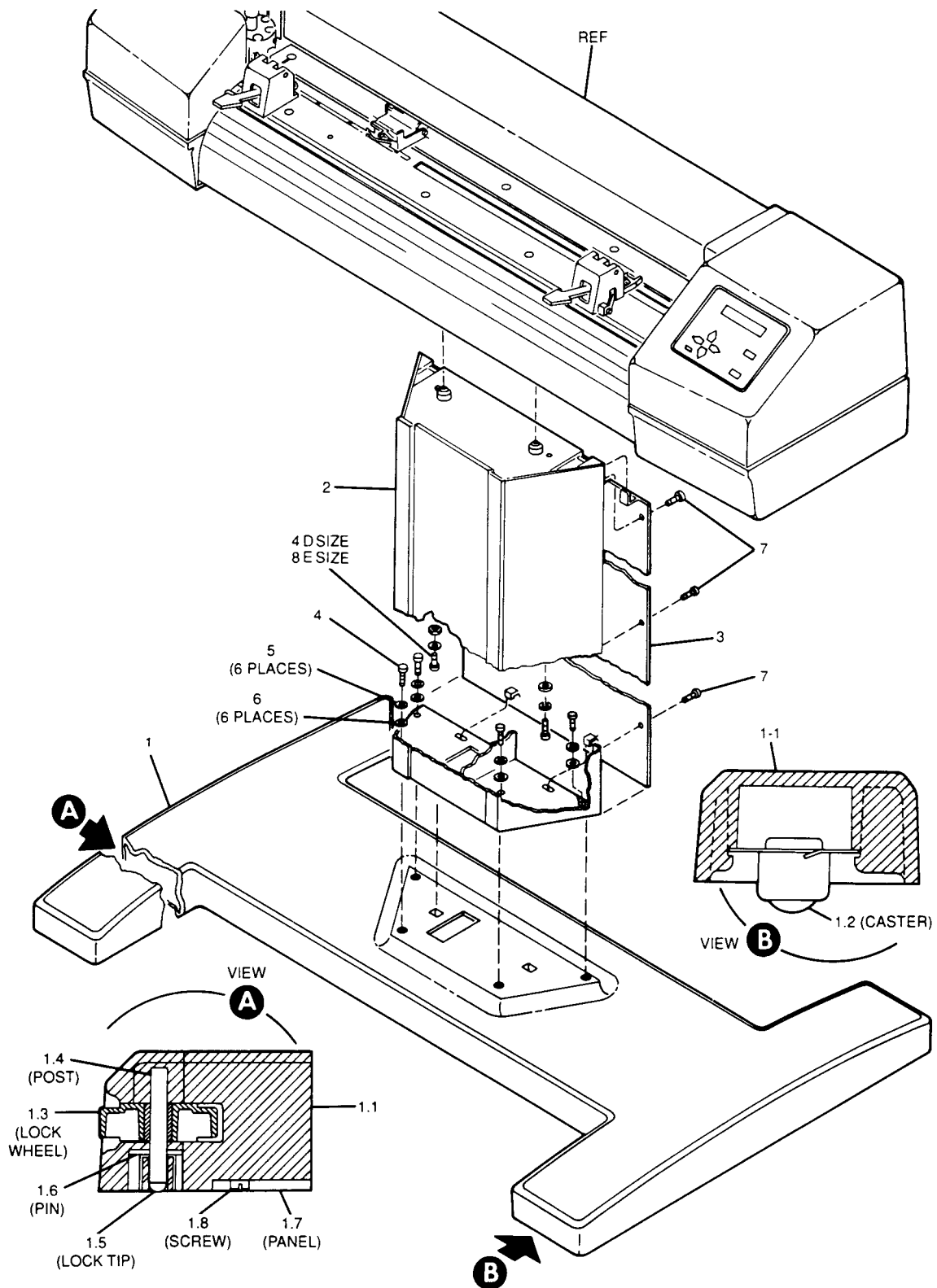


Figure 5-3. Stand Assembly

Item No.	Qty Reqd	Part Number	Description
		16707-0010	LOOSE PARTS, STAND ASSY, 2024, REV 8
		16706-0011	LOOSE PARTS, STAND ASSY, 2036, REV 7
1	1	16302-0019	ASSY, FOOT/STAND, D SIZE, REV 5
1	1	16303-0018	ASSY, FOOT/STAND, E SIZE, REV 4
1.1	1	16275-0012	FOOT, D SIZE
1.1	1	16276-0011	FOOT, E SIZE
1.2	4	16301-0010	CASTER, STAND
1.3	2	16300-0011	WHEEL, LOCKING, STAND
1.4	2	16299-0014	POST, LOCKING, STAND
1.5	2	16914-0019	TIP, LOCKING, STAND
1.6	2	12338-0131	BIN, SPR, .062DIA, .875LG, CRB STL, BLK
1.7	1	16644-0032	PANEL, STIFFENING, FOOT, STAND, D SIZE
1.7	1	16644-0057	PANEL, STIFFENING, FOOT, STAND, E SIZE
1.8	32	16848-2917	SCREW, HILO PLUS, HEX WSHR HD, 8-18X3/8
2	1	16273-0014	PEDESTAL, D SIZE
2	1	17971-0017	PEDESTAL, E SIZE
3	1	16272-0015	PANEL, BACK, PEDESTAL, E SIZE
3	1	16271-0016	PANEL, BACK, PEDESTAL, D SIZE
4	6	14287-4304	SCR, CAP, SKTHD, HEX, 1/4-20X1-1/4, ALY
5	6	11333-2613	WSHR, SPRLK, #1/4, .255ID, .489OD, .047TK
6	6	14628-0151	WSHR, FLT, SM PATT, 1/4, .255/.468/.032
7	8	10315-3573	SCREW, CAP, BTN HD, 10-32X3/8, HEX SKT
8	2	14287-4346	SCR, CAP SKTHD, HEX, 1/4-20X2, ALY STL
9NI	1	18188-0089	KEY, HEX, 1/8 SIZE, LONG ARM, STL
10NI	1	18188-0113	KEY, HEX, 3/16 SIZE, LONG ARM, STL
11NI	1	18052-0017	CONTAINER, STAND, PACESETTER, 2036, E SZ
11NI	1	18050-0019	CONTAINER, STAND, PACESETTER, 2024, D SZ
12NI	1	18139-0014	SHEET, INSTRUCTION, UNPACKING, PACESTR