
1042/43/44 and 1042/43/44 GT Drum Plotter Top Assembly

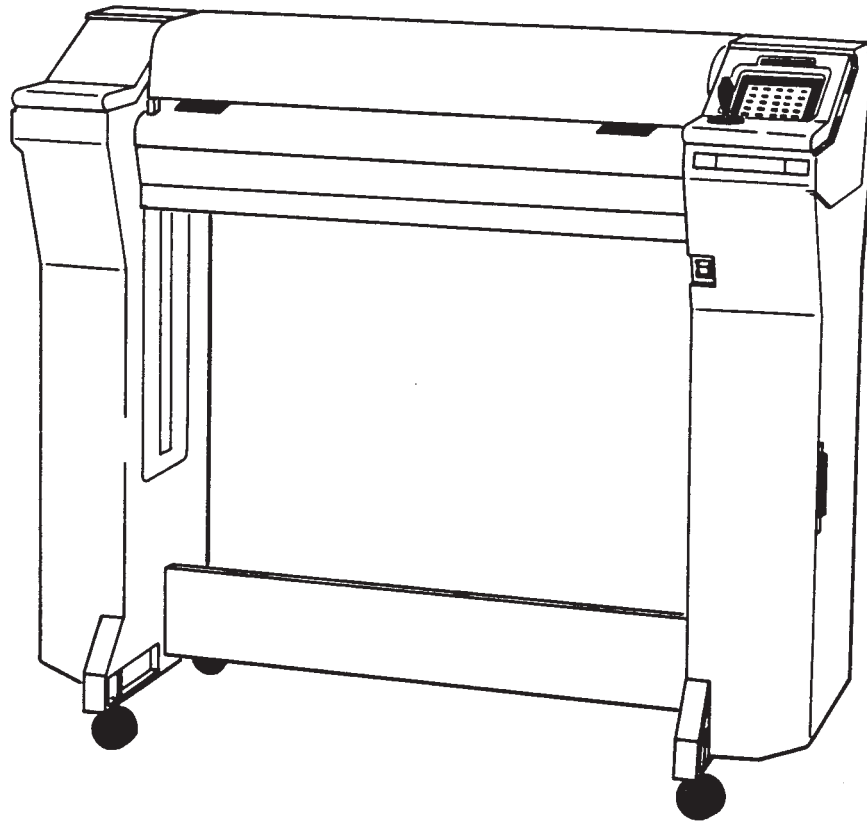


Figure 7-1. Top Assembly

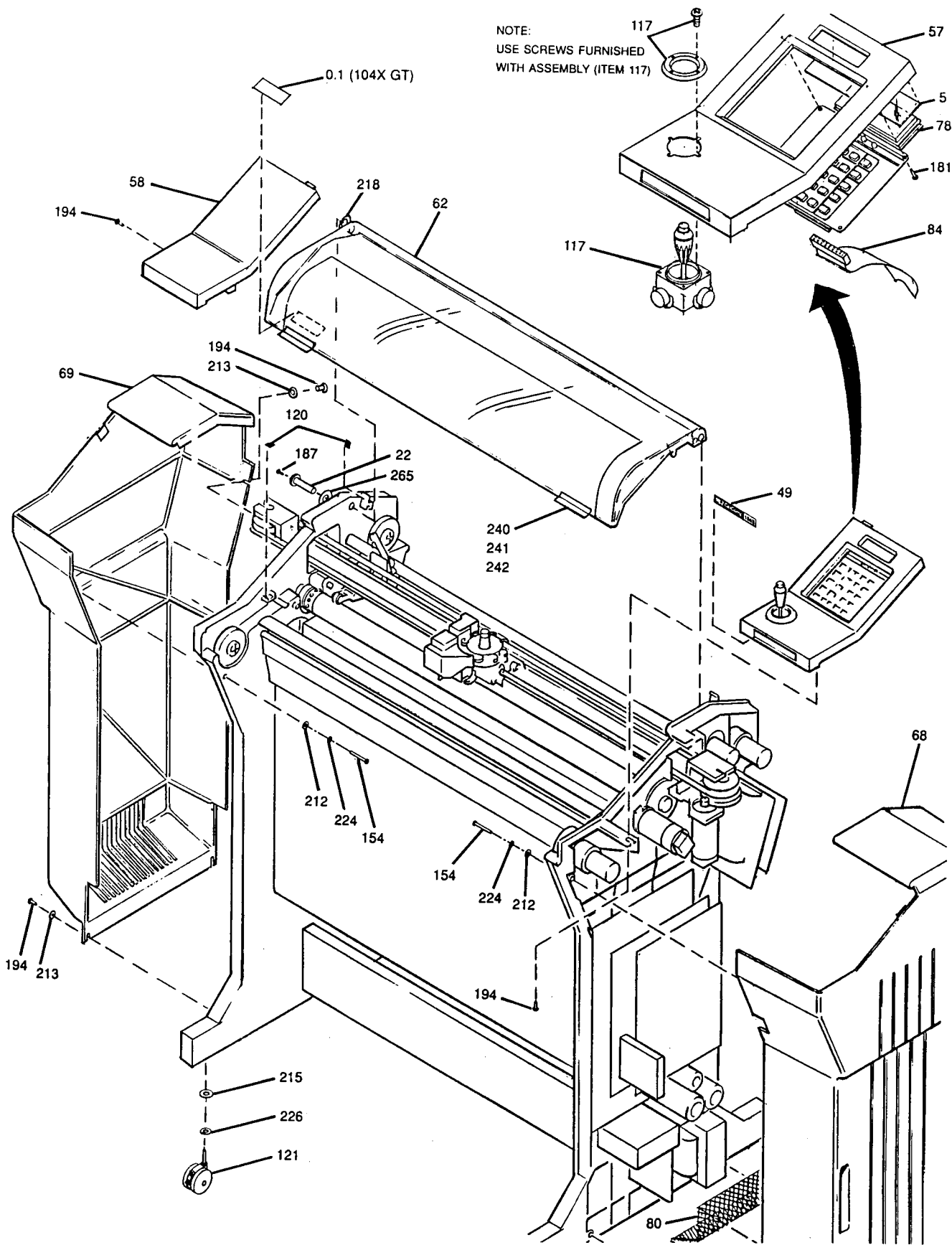


Figure 7-2. Final Assembly (Sheet 1 of 7)

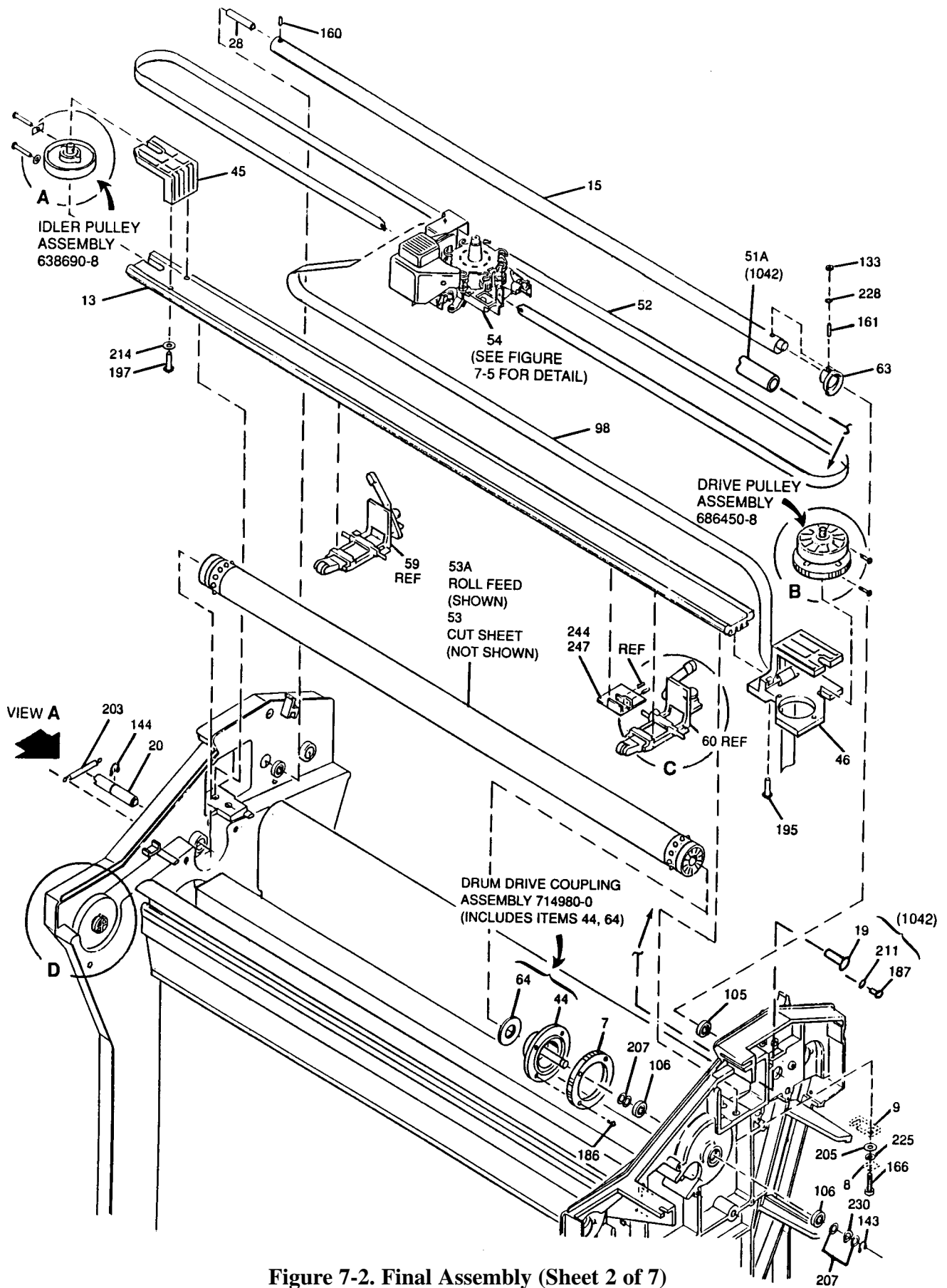


Figure 7-2. Final Assembly (Sheet 2 of 7)

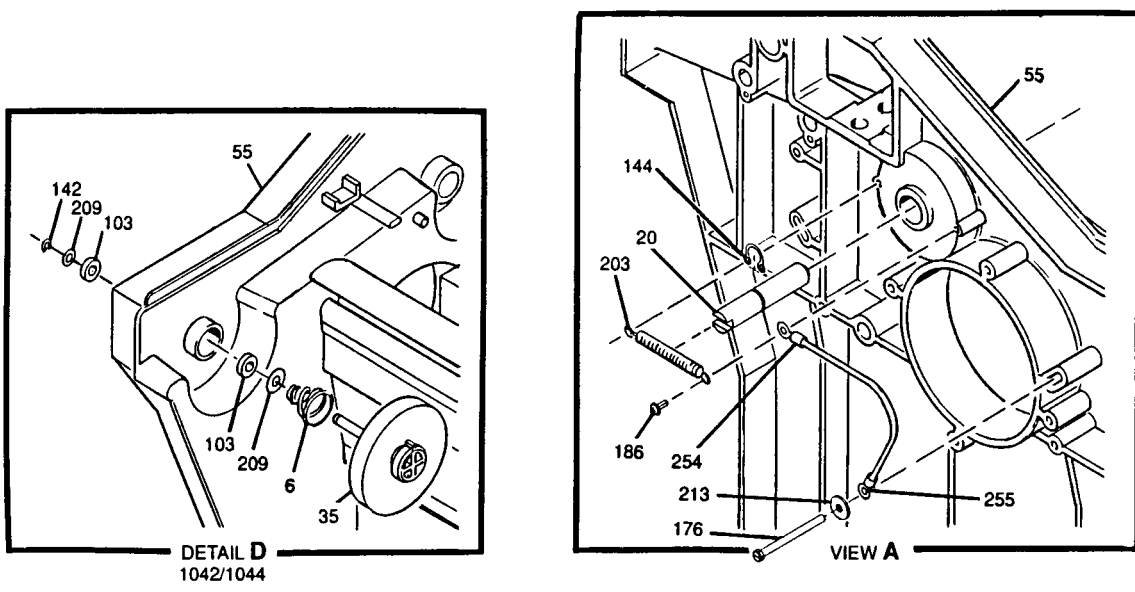
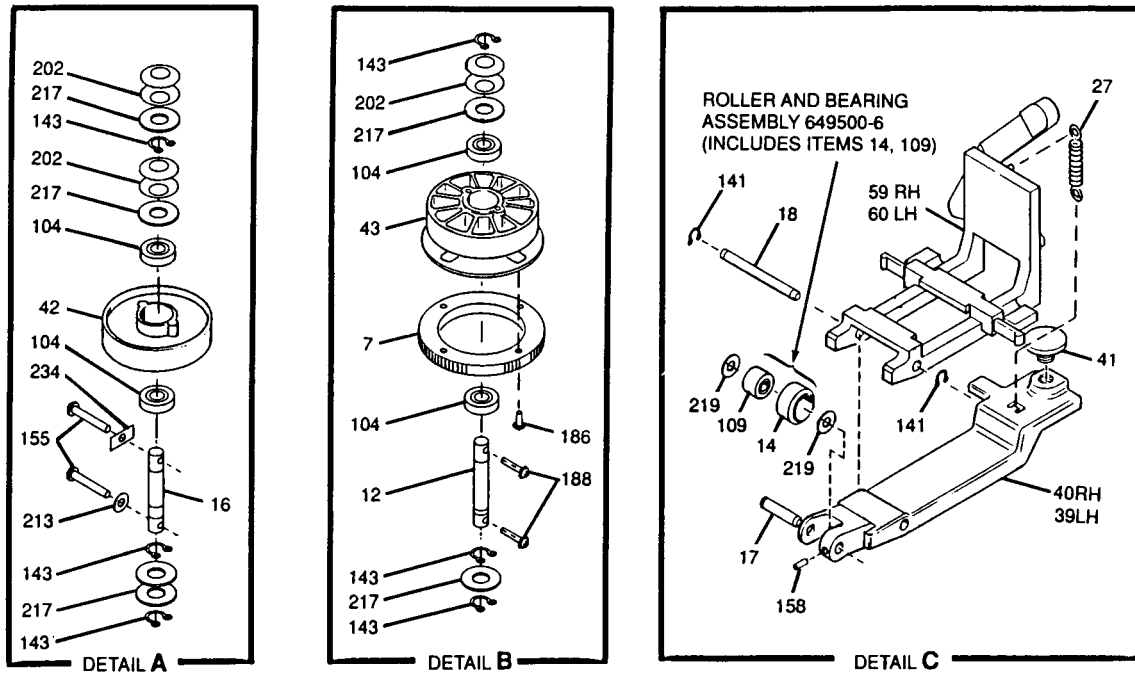


Figure 7-2. Final Assembly (Sheet 3 of 7)

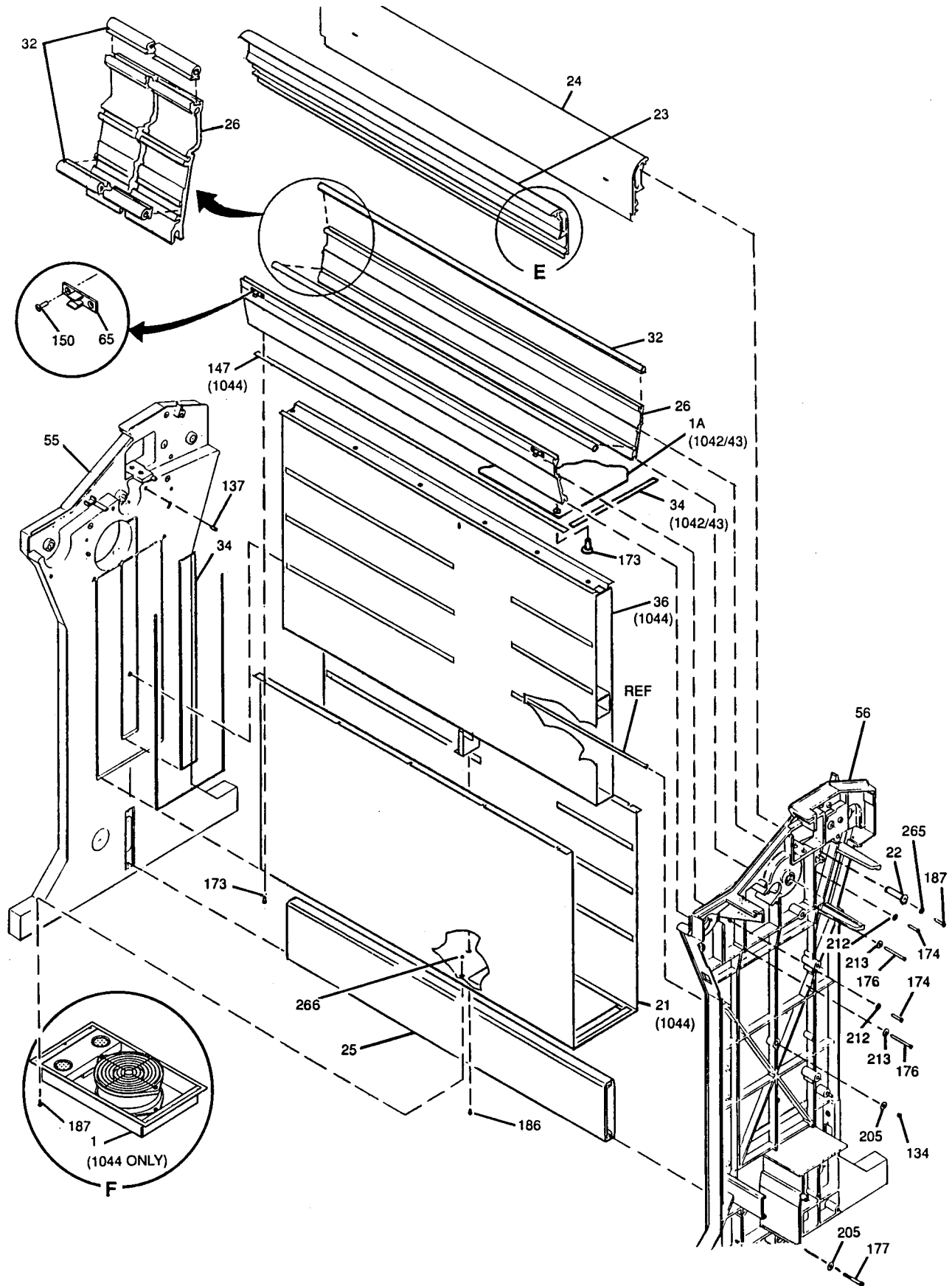


Figure 7-2. Final Assembly (Sheet 4 of 7)

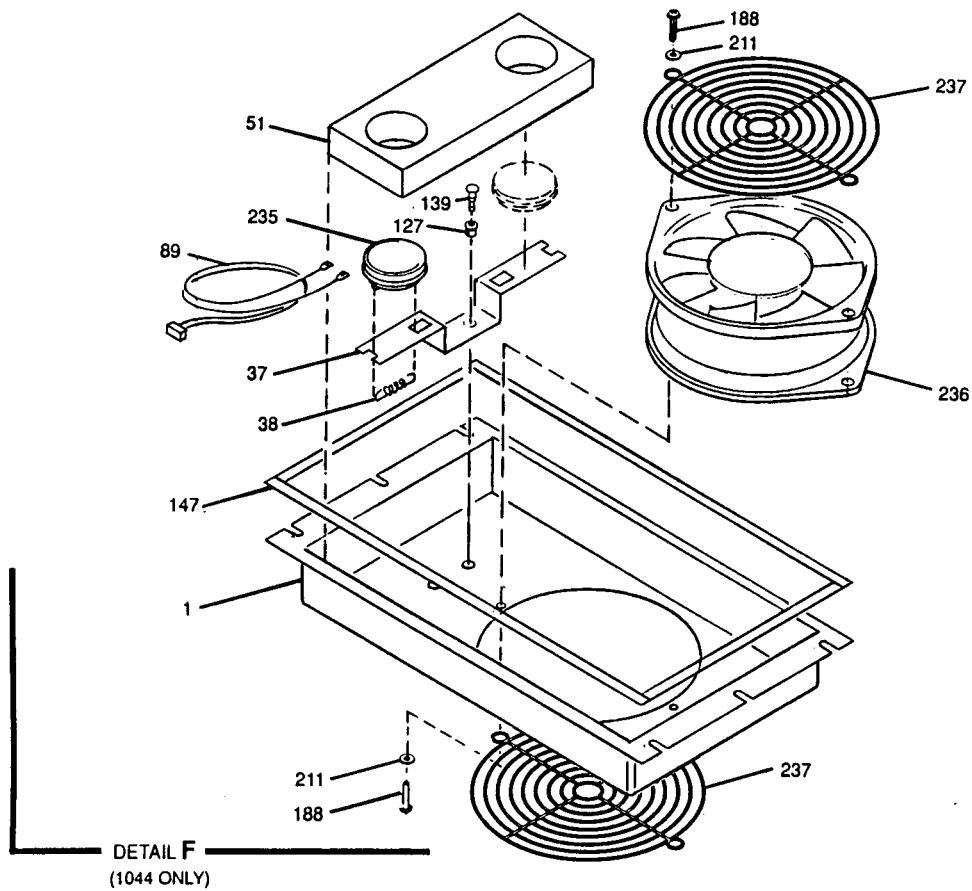
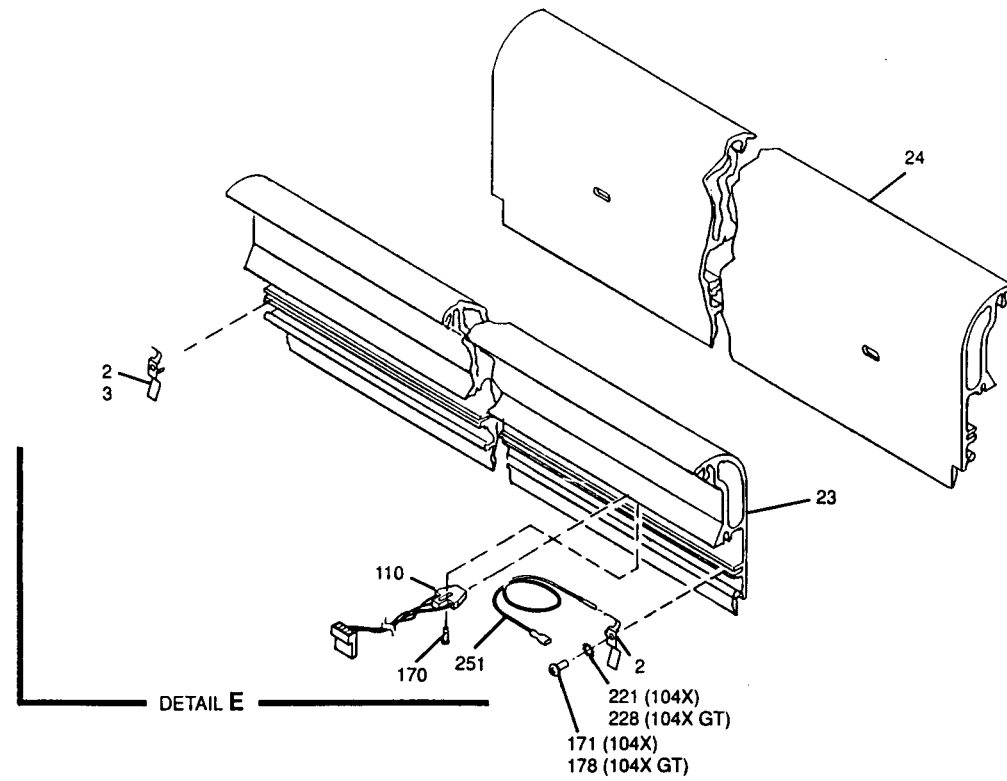


Figure 7-2. Final Assembly (Sheet 5 of 7)

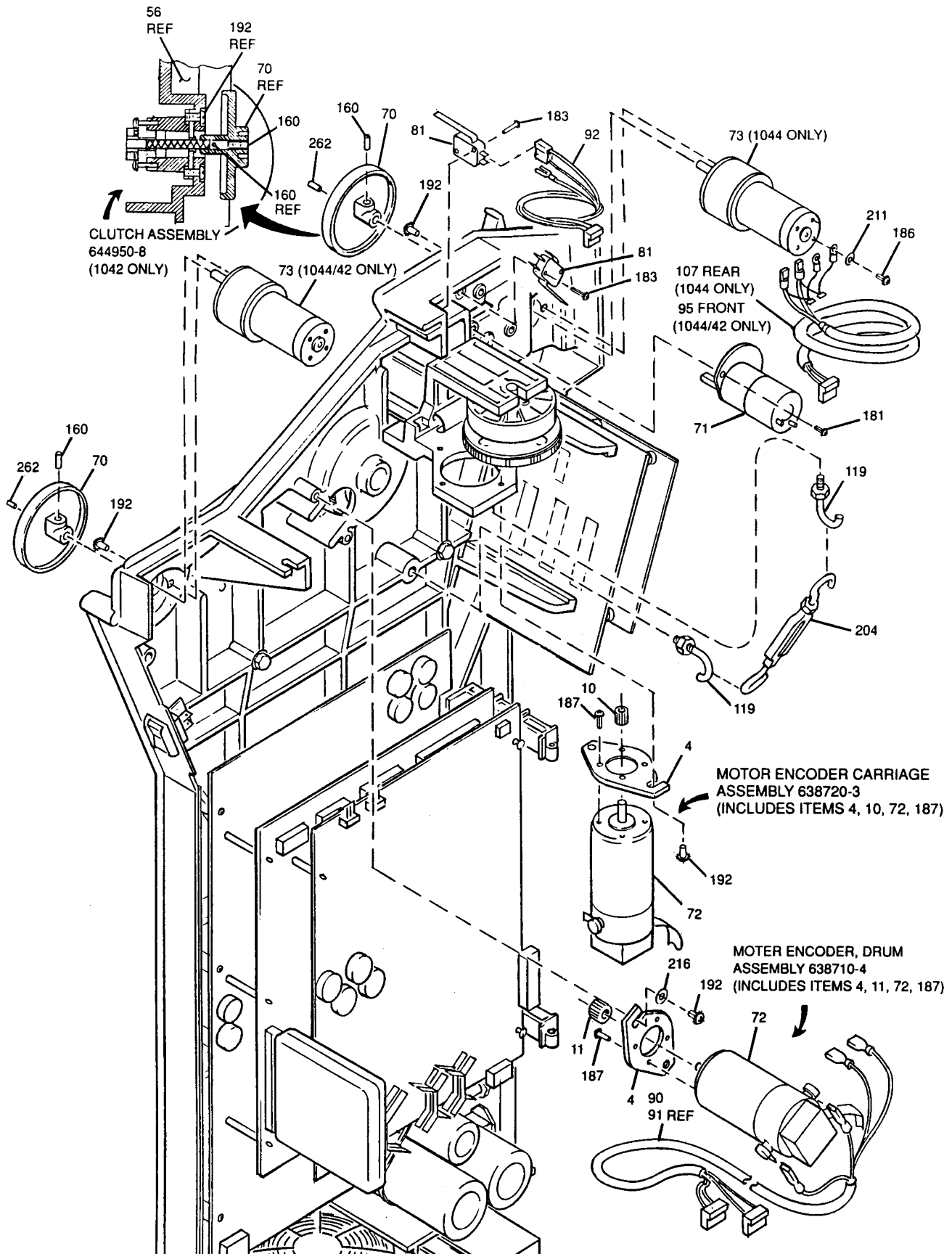


Figure 7-2. Final Assembly (Sheet 6 of 7)

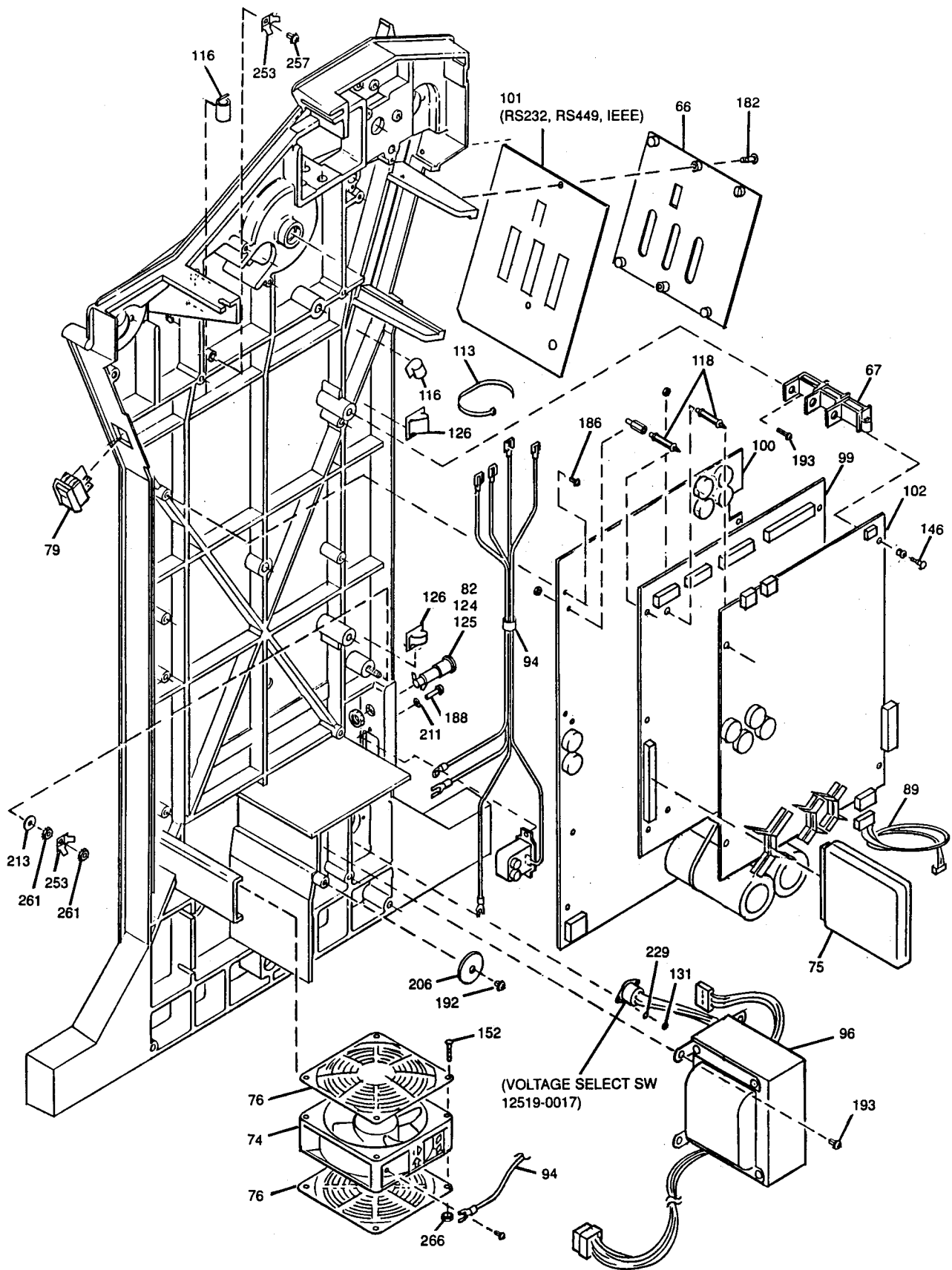


Figure 7-2. Final Assembly (Sheet 7 of 7)

Item No.	Qty Reqd	Part Number	Description
		629490-4	ASSY-PLOTTER, 1042, REV 49
		629500-0	ASSY-PLOTTER, 1043, REV 50
		629510-9	ASSY-PLOTTER, 1044, REV 52
		670310-2	ASSY-PLOTTER, 1042GT, REV 33
		670320-1	ASSY-PLOTTER, 1043GT, REV 33
		670330-0	ASSY-PLOTTER, 1044GT, REV 37
NI	1	647430-8	KIT-CABLE 1043
NI	1	658610-1	KIT-CABLE, 1044
NI	0	633840-4	PULLEY DRIVE 9 INCH MACHINE
NI	1	637320-3	KEYBOARD-ASSY, 2MIL CY SWS, UL, 1044
NI	1	636480-6	SOCKET SNAP-SIP14POS.215HI .100C-C, 1044
NI	1	636300-6	DISP, LTQ XTAL 5X7 DOT MAT 40 CHAR, 1044
NI	4	455530-6	SCREW-BDGH, SLTD, NYLON. 4-40X3/16
0.1	1	673280-4	DECAL, 104XGT
1	1	656280-5	TRAY-VACUUM FAN, 104ft
1A	1	630670-8	PANEL BOTTOM VACUUM, 1042/43
2	4	654450-6	CLIP RETENTION FRONT PLATEN, 104X
2	4	681300-0	CLIP RETENTION PLATEN RH, 104X GT
3	2	681310-9	CLIP RETENTION PLATEN LH, 104X GT
4	2	634860-1	PLATE MOTOR LG
5	1	638240-2	COVER PLATE
6	2	356290-7	SPRING-PAPER, SPOOL, 1042/44
7	2	612960-5	GEAR RING LARGE BORE 80 D.P.(MOLDED)
8	4	642150-7	SHIM-BEAM
9	4	642140-8	SHIM-BEAM
10	1	582900-7	PINION GEAR DRIVE 28 TOOTH 80 DP
11	1	627340-3	PINION GEAR DRIVE 42TOOTH 80DP
12	1	625210-0	SHAFT DRIVE
13	1	631760-6	BEAM CARRIAGE
14	2	627770-1	ROLLER PINCH WHEEL
15	1	628590-2	LIFT BAR PRESS ROLLER LEVER
16	1	625220-9	SHAFT IDLER, PULLEY
17	2	627380-9	PIN PINCH ROLLER
18	2	627400-5	SHAFT PINCH ROLLER
19	2	635060-7	SHAFT PAPER ROLLER, 1042
20	1	627370-0	SHAFT ADJUSTABLE DRUM
21	1	660120-7	CHAMBER-VACUUM, 1044
22	5	642180-4	SHAFT-GUIDE PLATEN
23	1	632290-3	PLATEN PAPER RH.104X
23	1	18136-0017	PLATEN PAPER RH, 1043GT/44GT
23	1	679550-4	PLATEN PAPER RH, 1042GT
24	1	632300-0	PLATEN PAPER LH
25	1	632860-3	EXTRUSION SPACER LOWER, PAINTED
26	2	633130-0	UPPER SPACER SIDE SUPPORT
27	2	656880-2	SPRNT EXT1/4ODI-3/8FL 1 1LB/IN.037-MW
28	1	634550-8	SHAFT SUPPORT LIFT BAR
29 NI	1	187230-8	NAMEPLATE
30 NI	1	187350-4	NAMEPLATE-FACTORY OPTION
31 NI	1	363260-1	LABEL-NEW EQUIPMENT
32	13	653570-2	EXTRSN NEOP 3/8OD 5/16BASE 1/2HI
33 NI	1	645620-6	SCREEN MOLDED1042/43
34	16 FT	643360-1	CHANNEL-EXT PAPER PAN

Item No.	Qty Reqd	Part Number	Description
34	1.5 FT	444110-1	EXTRUDED SEALANT, 1042GT/43GT
35	2	365050-4	FLANGE-ADJUSTABLE SPOOL, 1042/44
36	1	659340-4	DIVIDER-VACUUM CHAMBER, 1044
37	2	650890-7	HINGE-PAPERWEIGHT, 1042
37	1	656270-6	BRACKET-SENSOR SONIC, 1044
38 NI	1	650880-8	BASE-PAPER WEIGHT.1042
38	2	660480-5	SPRING-SONIC SENSOR, 1044
39	1	624930-4	LEVER PRESSURE ROLLER LH
40	1	624940-3	LEVER PRESSURE ROLLER RH
41	2	630540-3	SCREW ADJ PINCH ROLLER
42	1	631990-9	PULLEY IDLER (DIE CASTING)
43	1	632010-5	PULLEY DRIVE
44	1	632000-6	HOUSING SHAFT DRUM DRIVE
45	1	634220-8	SUPPORT PULLEY IDLER
46	1	633660-6	SUPPORT MOTOR & DRIVE PULLEY
47 NI	1	530380-5	LABEL-COMPLIANCE, FCC
48 NI	2	402040-0	DECAL-FUSE WARNING
49	1	660790-7	LOGO-PRODUCT ID (1042)
49	1	660800-4	LOGO-PRODUCT ID (1043)
49	1	660810-3	LOGO-PRODUCT ID (1044)
50 NI	1	641610-1	LOOSE EQUIPMENT-1 04X
50 NI	1	644690-0	LOOSE EQUIPMENT-1042, 100V/120V
50 NI	1	644710-6	LOOSE EQUIPMENT-1044, 100V, 120V
50 NI	1	678080-3	LOOSE EQUIPMENT-1044GT, 100/120V
50 NI	1	678110-8	LOOSE EQUIPMENT-1043GT, 100V/120V
50 NI	1	681190-5	LOOSE EQUIPMENT-1 042GT, 100V/ 120V
51	1	644920-1	PLATE-FILLER SONAR FOAM, 1044
51A	1	634990-6	ROLLER, IDLER, 1042
52	1	628530-8	ASSY BAND
53	1	633820-6	DRUM ASSY, CUT SHEET
53A	1	642430-3	DRUM ASSY. ROLL FEED
54	1	633870-1	PEN CARRIAGE ASSY (SEE FIG 7-3 FOR DETAIL)
55	1	624820-7	SUPPORT SIDE LH (MOLDING), 1042/44
55	1	631530-3	SUPPORT SIDE LH (MOLDING)CUT SHEET, 1043
56	1	663710-2	SU P PORT SI DERH, 1043
56	1	663720-1	SUPPORT SIDE RH CONDUCT.PAINT, 1042/44
57	1	630710-2	HOUSING CONTROL PANEL
58	1	630740-9	FRAME UPPER LH
59	1	699460-2	ASSY, SLIDE/LEVER, RH
60	1	699470-1	ASSY, -SLIDE/LEVER, LH
62	1	630520-5	COVER TOP MOLDED
63	1	626730-6	CAM LIMIT SWITCH
64	1	630810-0	COUPLING 29 TEETH DRUM DRIVE
65	4	629380-7	CLIP RETENTION REAR PLATEN
66	1	631900-8	PLATE COVER I/O BD
67	6	580250-9	HINGE PCB
68	1	630720-1	END BELLS RH
69	1	630730-0	END BELLS LH
70	2	704710-3	SPOOL-PAPER ROLL DRIVE, 1042/44
71	1	635720-6	ASSY MOTOR PINCH ROLLER 104X
72	2	694020-9	MOTOR/ENCODER ASSY
73	1	638580-1	MOTOR, GEAR 19.7/1, 24VDC, 1042/44
73	1	702140-5	MOTOR, GEAR 11.5/1, 24VDC, 1044GT

Item No.	Qty Reqd	Part Number	Description
74	1	631980-0	FAN AXIAL 1 15V 50/60CY 106CFM SLEEVE, 104X
74	1	690990-7	FAN AXIAL 1 15V 50/60CY 105CFM SLEEVE, 104XGT
75	1	12268-0010	ASSY, ROMPACK, 104X
75	1	12089-0116	ASSY, ROMPACK, 104XGT
75	1	11051-0013	ASSY, ROMPACK, 104X. CPGL
75	2	289290-9	GUARD-FINGER (MUFFIN FAN)
77 NI	2	638380-6	CENTER ADJUST SPOOL PAPER ROLL IDLER, 1041/44
78	0	637390-6	DISPLAY/KEYBOARD ASSY DSCD 104X
79	1	597430-8	SW-RKR PWR 16A PANEL UL CSA EURO
80	1	645610-7	SCREEN FILLER
81	2	631880-2	SWITCH LIMIT STR LEVER SPOT 1 1 A/1 20V
82	1	017860-8	FUSE-3AG SLO-BLOW 5A 250V
83 NI	1	645150-4	CORD PWR DETACH 8TO10FT3-COND18GA10A
84	1	663760-7	ASST-CABLE PROCESSOR/CONTROL PANEL
85 NI	0	626880-9	ASSY CABLE SIGNAL PROCESSOR/ANALOG, 1042/44
86 NI	0	626890-8	ASSY CABLE PROCESSOR RS232(STANDARD)
87 NI	0	641010-4	CABLE SIGNAL PAPER SERVO BD, 1044
88 NI	0	626910-4	ASSY CABLE BD PWR ANALOG/PRO/PAPER, 1042/43
88 NI	0	626930-2	ASSY CABLE BD PWR ANALOG/PRO/PAPER, 1044
89	0	642740-5	ASSY CABLE 1044 SONAR TRANSDUCER
90	0	630390-3	ASSY CABLE ANALOG BD/X MOTOR DRIVE
91	0	626950-0	ASSY CABLE ANALOG BD/Y MOTOR DRIVE
92	0	658980-8	CABLE ASSY
94	0	660780-8	ASSY-CABLE PWR 104X
94	0	660760-0	ASSY-CABLE PWR 104X
95	1	643390-8	CABLE PAPER DRIVE MOTOR, 1042
95	0	646880-5	CABLE PAPER DRIVE MOTOR, 1044
95	0	689680-7	CABLE PAPER SERVO, 1044GT
96	1	706140-1	XMFR, PWR, LINAR, W/SWITCH
98	1	626940-1	CBL FLT-FLX20CND CRVD.049C-CULE33847
99	1	637730-3	ASSY 104X CONTROLLER
99	1	663370-5	ASSY 104XGT CONTROLLER
100	1	617000-5	ASSY X, Y SERVO AMPLIFIER, 1042/43
100	1	659540-9	ASSY-1 044 X, Y SERVO AMPLIFIER
100	1	688690-7	ASSY X, Y SERVO AMPLIFIER, 1042GT/43GT
100	1	688700-4	ASSY X, Y SERVO AMPLIFIER, 1044GT
101	1	619740-4	ASSYRS232BD
101	1	633740-6	ASSY IEEE BD
101	1	643440-1	ASSY RS 449 BD
102	1	660220-5	ASSY-PAPER SERVO, 1044
102	1	689470-3	ASSY-PAPER SERVO, 1044GT
103	4	174130-5	BBRG-FLGD, .250 ID X .625 OD, 1042/44
104	4	424420-8	BBRG-FLGD CL 3, .375 ID X .875 OD
105	2	628090-3	BBRG UNGND.375ID.875 OD.281 HI CS B/O
106	2	371360-9	BBRG-PL CL 3, .375 ID X .875 OD
107	0	646900-1	CABLE PAPER DRIVE MOTOR, 1044
107	0	689690-6	CABLE PAPER SERVO, 1044GT
109	2	634240-6	BEARING:NEEDLESS3/16SHFTOPNEND.375W
110	2	635030-0	SENSOR-REF TYPE, OPTO SW, IR, 40MA LED
113	15	269190-5	CBL TIE-NYL, 1 1/4 IN BUNDL, 5 1/2 LG
115 NI	2	257190-9	CABLE CLAMP-CLIP, ADHESIVE 3/16 PVC
116	2	237750-5	CABLE CLAMP-CLIP, ADHESIVE 3/8 PVC
117	1	626390-9	JOYSTICK DSCD WIDGET PLOTTER, 1043/44
118	5	581990-9	STANDOFF-SNAP IN NYLON
119	4	638590-0	BOLT'J' W/NUT L=2 THD L=1 THD 5/16

Item No.	Qty Reqd	Part Number	Description
120	4	524200-3	BUMPER. ADH/B.50SQX
121	4	633430-4	CSTR ASY60MMNYL LOCWHL3/8-1 6X3/4STM
122NI	4	336060-9	CLIP SPEED
124	1	574120-2	CARRIER FUSE CAP 1/4 X 1 1/41 N GREY
125	1	594380-8	PUSEHLDRBODY.187QD.5DPNLTULCSAVDE
126	2	396210-7	RIBBON CABLE CLAMP
127	5	579560-4	GROMMET NYLATCH NYLON .25 IN BLACK
128NI	8 FT	539520-1	TINSEL STATIC, 1042
131	2	161650-7	NUT-HEX, MACH SCREW, 4-40, 1044
133	1	171030-0	N UT-H EX, MACH SCREW, 8-32
134	2	287670-4	NUT-HEX, MACH SCREW, 1/4-20
135 NI	3	645870-7	NUT-SPEED.25ID.66X.44SPRNG STL ZNC, 1042/44
137	4	026160-2	PIN, DOWEL
139	6	579570-3	PLUNGER NYLATCH .25" BLK NYLON
141	4	094130-2	RETAINING RING-EXTERNAL
142	2	019030-6	RET RING, IDLER, SPOOL SHAFT, 1042/44
143	7	019080-1	RETAINING RING-EXTERNAL
144	1	125360-8	RING RETAINING EXTERNAL
146	4	512230-4	RETAINING RING
147	10 FT	528330-4	TAPE, FOAM 3/8X.06THK
150	8	151750-7	SCREW, FLT.HD, 82d, CRS REC, 4-40X5/16
151 NI	2	151810-9	SCREW, PAN HD, SLTD, 4-40X3/4, 1044
152	6	334220-1	SCREW, PAN HD, SLTD, 6-32X2"
154	3	193620-2	SCREW, PAN HD, SLTD, 10-32X1 3/4
155	2	172080-4	SCREW. PAN HD, SLTD, 10-32X1 1/4
158	2	510330-4	SETSCREW, HEX SKT, CUP PT, 6-32X1/8
160	5	557220-1	SETSCREW, HEX SKT, FDP, 8-32X1/2
161	1	650170-4	SCRWSET8-3/4 HEX SOC CUP PT 'A1 18-8
166	4	297900-3	SCREW-CAP, SKT HD, HEX, 1/4-20X1"
170	2	372810-2	SCRW-SLT HEX WSHR HD THDFMG 4-40X1/2
171	5	330490-4	SCREW-PAN HD, SLFTPG, TF, #6X1/8
173	10	638490-3	SCRWSLTD HEX WSHRHD10-32X3/8THD-FMG
174	2	638500-9	SCRW SLTD HEX WSHRHD1 0X32X1 THD FMG
176	10	666520-2	SCRW-SLTDHEXWSHRHD10-32X2-1/4THDFPMG
177	4	638470-5	SCRW-SLT OPTL HEX WSHRHD1/4-20X1-3/4
178	2	652830-1	SCRW SLFTP CUTNG REC PHND4-24X5/8
180NI	2	485750-4	SCREW-PAN HD, EXT LK WSHR, 4-40X1/4
181	4	485760-3	SCREW-PAN HD, EXT LK WSHR, 4-40X3/8
182	2	485840-3	SCREW-PAN HD, SKT LK WSHR, 6-32X5/8
183	2	485780-1	SCREW-PAN HD, EXT LK WSHR, 4-40X5/8
185	8	485810-6	SCREW-PAN HD, EXT LK WSHR, 6-32X1/4
186	27	485820-5	SCREW-PAN HD, EXT LK WSHR, 6-32X3/8
187	19	485830-4	SCREW-PAN HD, EXT LK WSHR, 6-32X1/2
188	6	485850-2	SCREW-PAN HDr EXT LK WSHR, 6-32X3/4
192	6	485940-1	SCREW-PAN HD, EXT LK WSHR, 10-32X3/8
193	16	485950-0	SCREW-PAN HD, EXT LK WSHR, 10-32X1/2
194	2	485960-9	SCREW-PAN HD, EXT LK WSHR, 10-32X5/8
195	3	485980-7	SCREW-PAN HD, EXT LK WSHR, 10-32X1
197	2	486030-0	SCREW-PAN HD, EXT LK WSHR, 1/4-20X1
202	6	381200-5	SPRING-BELLEVILLE
203	1	656890-1	SPRNG EXT1/40D2"FL 5.6LB/IN.037-SS
204	2	638600-7	TRNBKL2HOOKCLSD=5-1/4(+2-1/8)1/4THD
205	4	655070-1	WSHR-FLTO1/4, 0.26IID, 0.75OD, 0.060TH
206	1	651700-7	WSHR-FLT#10, 0.204ID, 1.50OD, 0.60THCRS

Item No.	Qty Reqd	Part Number	Description
207	1	361000-3	WSHR-STL, FLT.380/.630/.015ZINC
209	4	657150-9	WASHER FLAT.260ID.420D.03THKSTLZNC
210 NI	1	256950-7	WASHER-FLAT .31 2/1 .250/.060
211	9	171740-4	WASHER-SS#6 .149/.375/.032
212	9	171710-7	WASHER-SS #10 .203/.438/.032
213	11	655080-0	WSHR-FLT#10, 0.204ID, 0.631OD, 0.060TH
214	2	157710-5	WASHER-SS #1/4 .265/.500/.032
215	4	153840-4	WASHER-SS #3/8 .390/.625/.062
216	4	025630-5	WSHER-SS, #10, .203/.438/.063
217	2	195970-9	WASHER-FLAT ROUND
218	1	652090-2	WASHER-NYLON, FLAT, 0.513 ID, 0.718 OD
219	4	631870-3	WSHR FLT NYL .192 ID .505 OD .015THK
220 NI	1	019730-1	WASHER, FLAT3/8 NYLON
221	4	030010-3	WASHER-LOCK, INTERNAL TOOTH
224	2	030090-5	WASHER-SPLIT LOCK
225	4	172240-4	WASHER-SPLIT LOCK
226	4	244060-0	WASHER-SPLIT LOCK
227 NI	2	030060-8	WASHER-SPLIT LOCK
228	1	151790-3	WASHER-LOCK, INTERNAL TOOTH
229NI	4	030080-6	WASHER-SPLIT LOCK
229	2	150700-3	WASHER-LOCK, INTERNAL TOOTH
230	2	360990-6	WSHR-CRSNTSPRNG, .377/.465/.005 BeCu
234	1	635590-3	WSHR STL RECT.406WX.81 2LX.05THK.206D
235	2	606550-2	TRSDCR-USONIC RANGNG, INST GRADE, 1044
236	1	545010-1	FAN-ROTRON, 1044
237	2	480480-3	FINGER GUARD, 1044
238 NI	1	650900-4	WEIGHT PAPER ROLL, 1042
238 NI	1	660190-0	WEIGHT PAPER ROLL, 1042GT
239 NI	1	581250-8	FLAT CABLE MOUNT ADHESIVE
240	2	650040-9	EXTRUSION-HANDLE TOP COVER
241	1 FT	651940-9	TAPE-FASTNER, 1/2W, 0.010THK CLR FILM
242	1	651930-0	TAPE-FASTNER, 3/16W, 0.010THK CLR FILM
243 NI	1	031360-1	LUG, INACTIVE USE 10497-2088, 1044
244	1	696690-7	CLAMP/SHADE, 1043
247	1	667800-7	CLAMP-SHADE ASSY, 1044
247	1	696690-7	CLAMP/SHADE, 1042
250 NI	1	595160-3	FILTER EMI 6A 250V 90D .250 Q.D. UL
251	1	662610-5	ASSY-GROUNDING CABLE
253	2	582740-7	TAB TERM, 4 POSITIONS
254	2	581230-0	TAB TERM, .250 .145 STUD DIA MALE
255	1	662540-4	TAB TERM, .250, .200HOLE.032 MAT RING
256 NI	1	538680-0	LABEL-GND SYMBOL
257	1	485880-9	SCREW-PAN HD, EXT LK WSHR, 8-32X3/8
258 NI	2	664430-6	NUT-SPD'UTYPE6-32FOR.12MATLSTLZINC
260 NI	1	262280-1	LABLE-HAZARDOUS AREA
261	2	525170-7	NUT-HEX, LOCK WASHER TYPE, 10-32, 1043GT/44GT
262	2	694610-7	SCREW-SET 8-32X3/8, 1044GT
265	4	193630-1	WSHHR-STL, FLT.164/.454/.048ZINC
266	2	645390-6	NUT-KEPS FLT RIM CONCL 6-32 STL ZNC

104X Series Pen Carriage Assembly

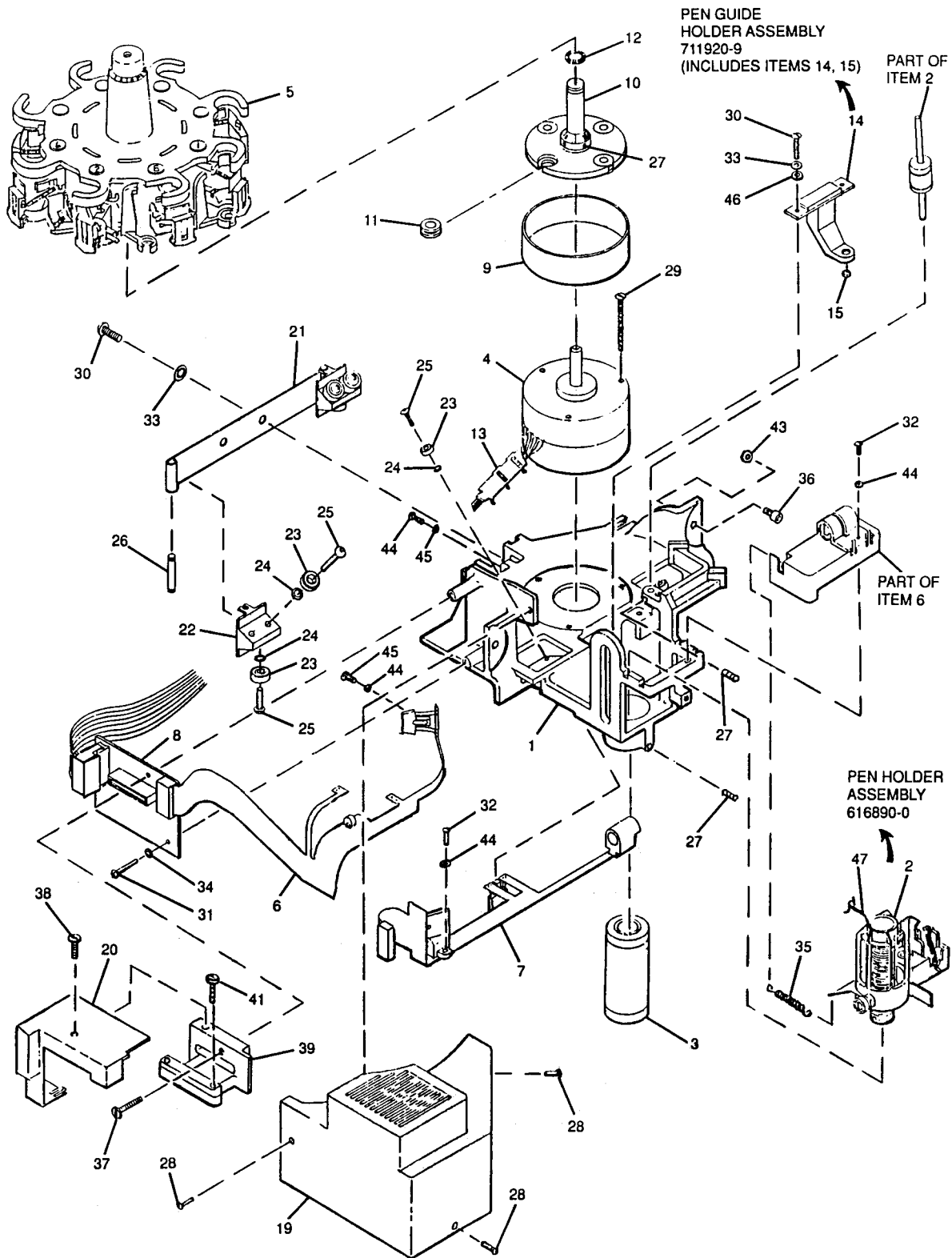


Figure 7-5. Pen Carriage Assembly

Pen Carriage Assembly

Item No.	Qty Reqd	Part Number	Description
		633870-1	PEN CARRIAGE ASSY, REV 34
1	1	617990-7	CARRIAGE, MACHINED
2	1	677580-3	ASSY, PEN HOLDER
3	1	615710-1	MAGNET STRUCTURE ASSY, VOICE COIL
4	1	628110-9	ASSY, MOTOR
5	1	677330-3	PEN TURRET ASSY
6	1	637400-3	UPPER FLEX CIRCUIT ASSY
7	1	637410-2	LOWER FLEX CIRCUIT ASSY
8	1	668350-2	ASSY-PEN TURRET, PCB
9	1	632330-7	WIRE RETENTION SLEEVE, HEAT'SHRKBLE
10	1	621010-8	SPINDLE, MOTOR
11	4	622140-2	GROMMET
12	1	706980-0	O-RING, .239 ID, .379 OD NITRIL, DURO60
13	1	627010-2	CLIP, MOTOR CABLE
14	1	619670-3	PEN GUIDE HOLDER
15	1	626200-0	PEN GUIDE
19	1	627110-0	FRONT COVER, CARRIAGE
20	1	630010-7	SIDE COVER, CARRIAGE
21	1	628580-3	SPRING, PEN CARRIAGE
22	2	627780-0	SUPPORT, BEARING TENSION SPRING
23	10	634590-4	BBRG RAD, .125BOR, SNGL, 7BALL, .375D
24	10	025830-1	SPACER-SHAFT
25	10	632870-2	SCRW, HEX SOC, BTN HD CAPS, 40X3/8 SS
26	2	627390-8	PIN, TENSION SPRING, CARRIAGE
27	5	635900-4	SCRW, 4-40X1/8 HEX SKT, SET, CUP PT
28	3	392300-0	SCREW, PAN HD, SLT, BK.OXD, 2-56X3/16
29	3	196220-8	SCREW, PAN HD, SLTD, 4-40X1 1/4
30	2	029610-3	SCREW, PAN HD, SLTD, 6-32X5/16
31	1	029490-0	SCREW, PAN HD, SLTD, 4-40X3/16
32	3	392290-3	SCREW, PAN HD, SLT, BLOXD, 2-56X1/4
33	4	030010-3	WASHER-LOCK, INTERNAL TOOTH
34	1	150700-3	WASHER-LOCK, INTERNAL TOOTH
35	1	655980-1	EXTENSION SRING, BEARING PRELOAD
36	2	378810-6	SCREW-CAP, SKT HD, HEX, 8-32X5/16
37	1	485780-1	SCREW-PAN HD, EXT LK WSHR, 4-40X5/8
38	1	485750-4	SCREW-PAN HD, EXT LK WSHR, 4-40X1/4
39	1	660210-6	SUPPORT-CABLE, CARRIAGE
41	2	668310-6	SCRW-SLF TAP, XREC, PNHD 4-24X1/2
43	2	173640-4	NUT-HEX, MACH SCR, EX SM PATT, 8-32
44	5	145650-8	WASHER-LOCK, INTERNAL TOOTH
45	2	145730-8	SCREW, PAN HD, SLTD, 2-56X5/16
46	2	163750-3	WASHER-SS#6 .149/.375/.016
47	2	668420-3	WIRE-LEAD, VOICE COIL