

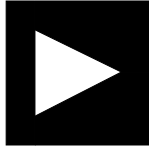
A

B

C

D

# BF HANDY BOARD SCHEMATIC

		<b>ANALOG DEVICES</b>	20 Cotton Road Nashua, NH 03063 PH: 1-800-ANALOGD
<b>Title</b>		BF Handy Board TITLE	
<b>Size</b> C	<b>Board No.</b>	A0200-2005	<b>Rev</b> 2.0
<b>Date</b>	8-23-2006_14:30	<b>Sheet</b>	1 of 14

A

B

C

D

1

1

2

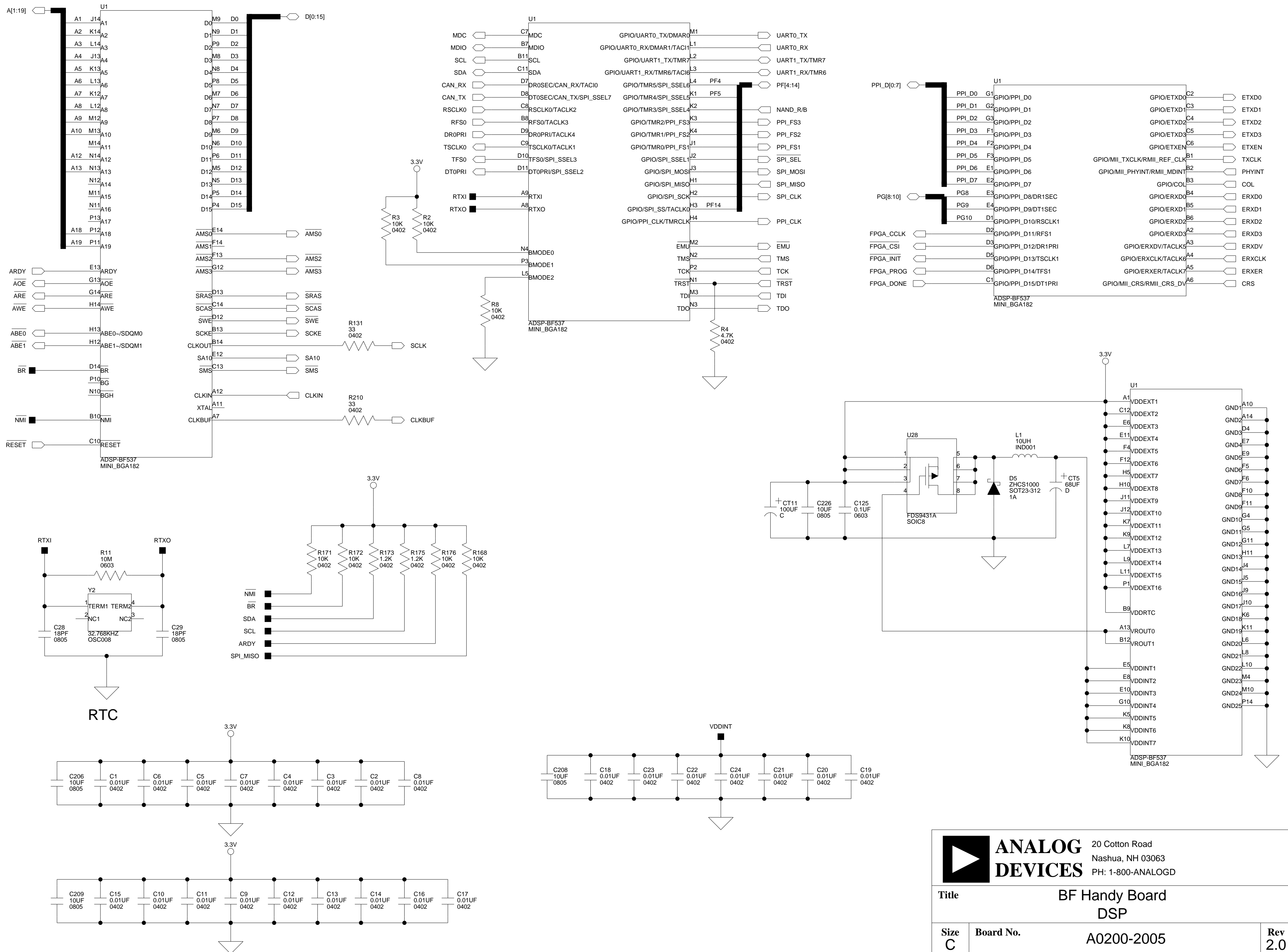
2

3

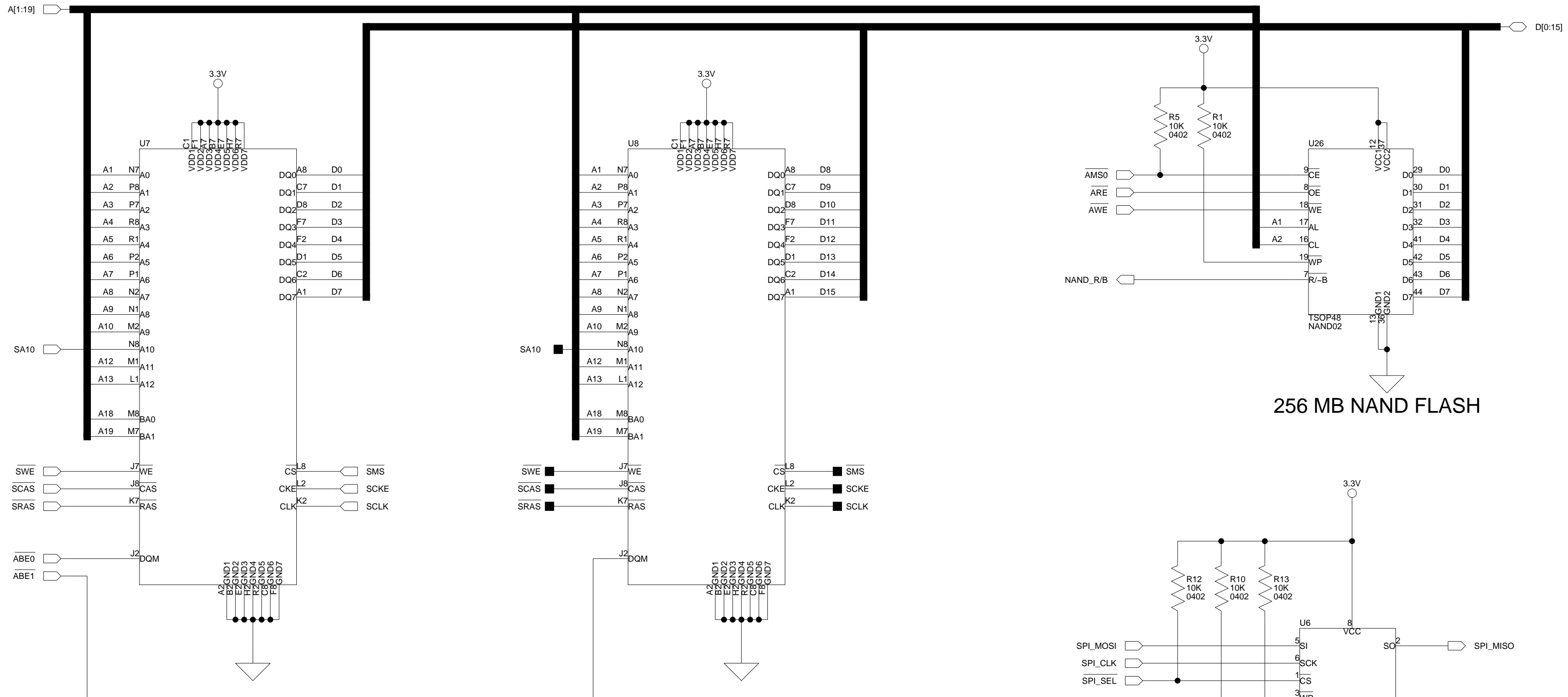
3

4

4

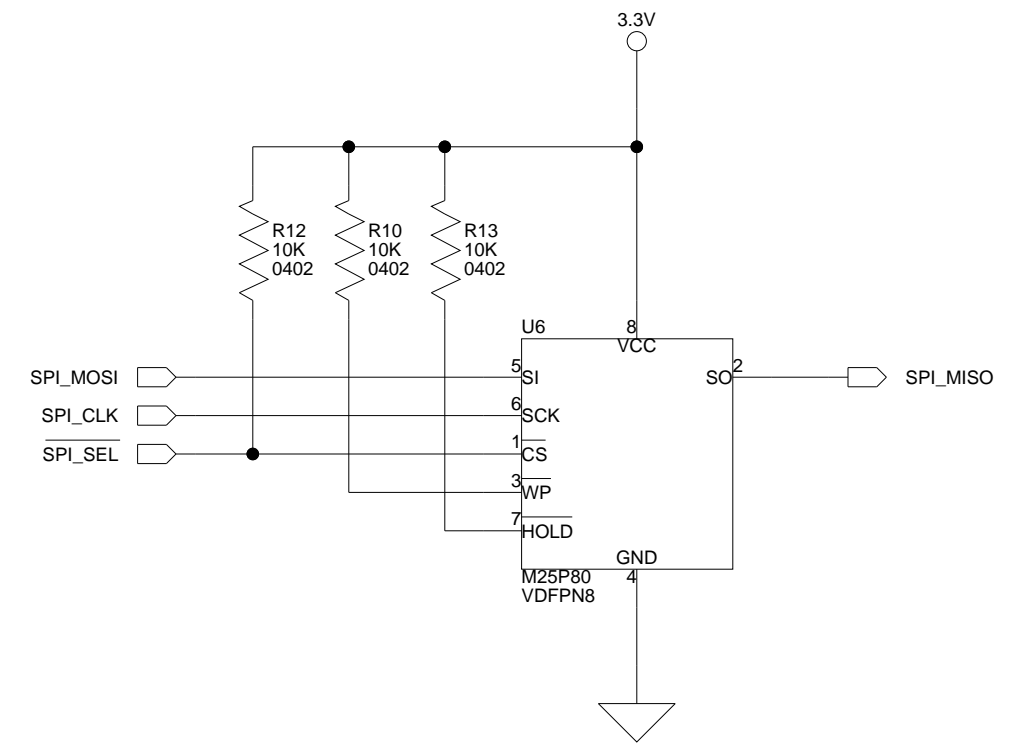


 <b>ANALOG DEVICES</b>		20 Cotton Road Nashua, NH 03063 PH: 1-800-ANALOGD
<b>Title</b> BF Handy Board DSP		
<b>Size C</b>	<b>Board No.</b> A0200-2005	<b>Rev</b> 2.0
<b>Date</b> 8-23-2006_14:30	<b>Sheet</b> 2 of 13	

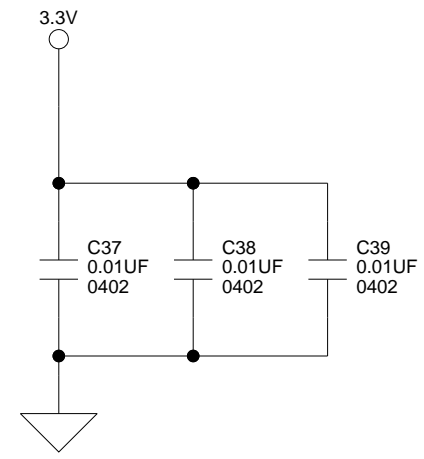
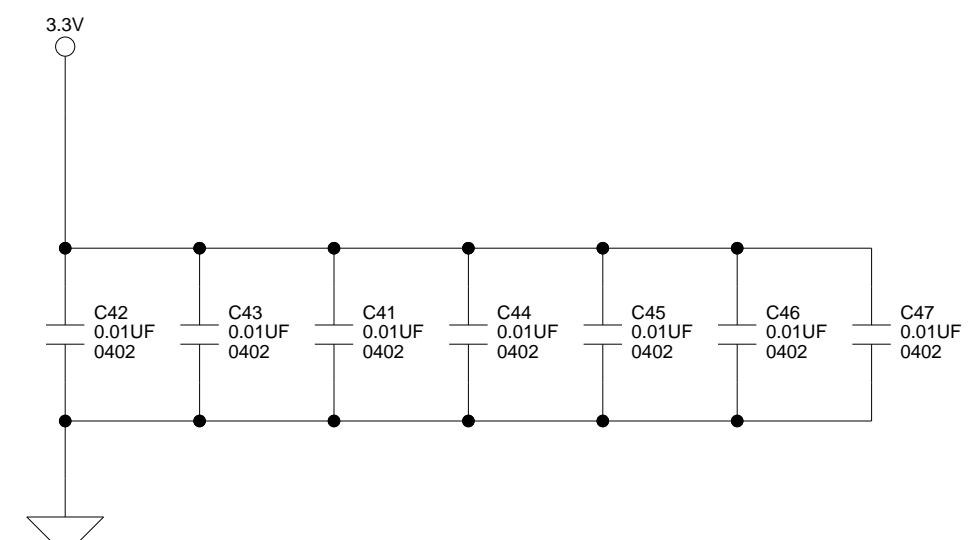
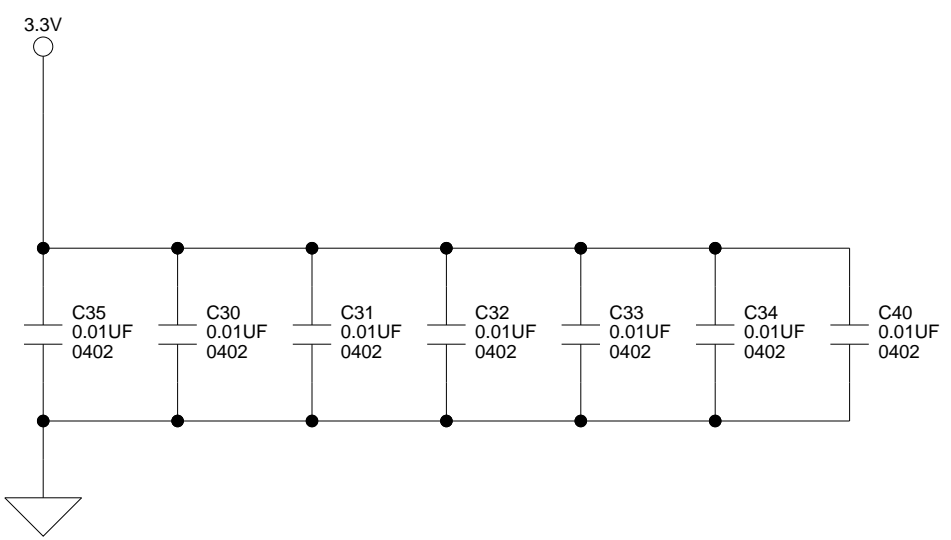


64 MB SDRAM  
(8M x 8 x 4 banks) x 2 chips

256 MB NAND FLASH



1 MB SPI FLASH

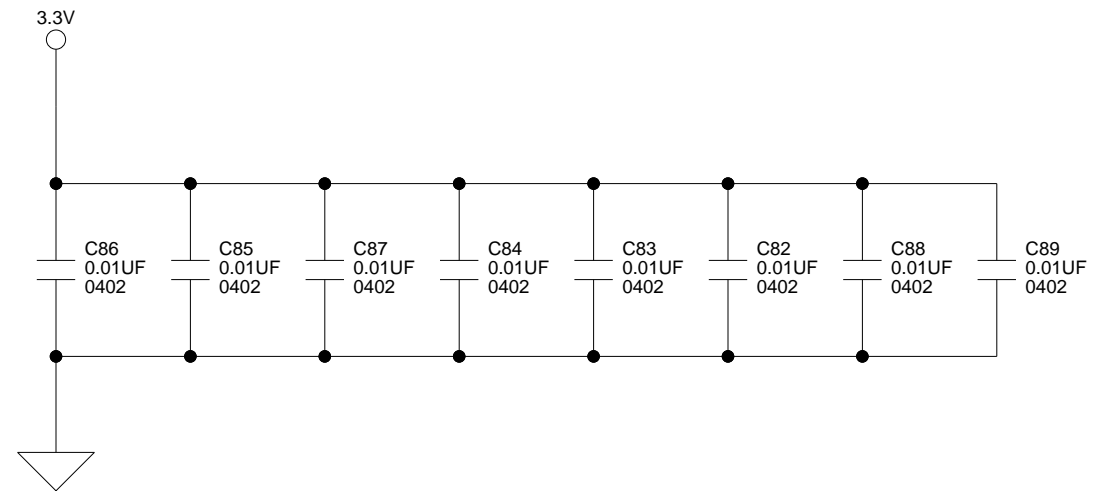
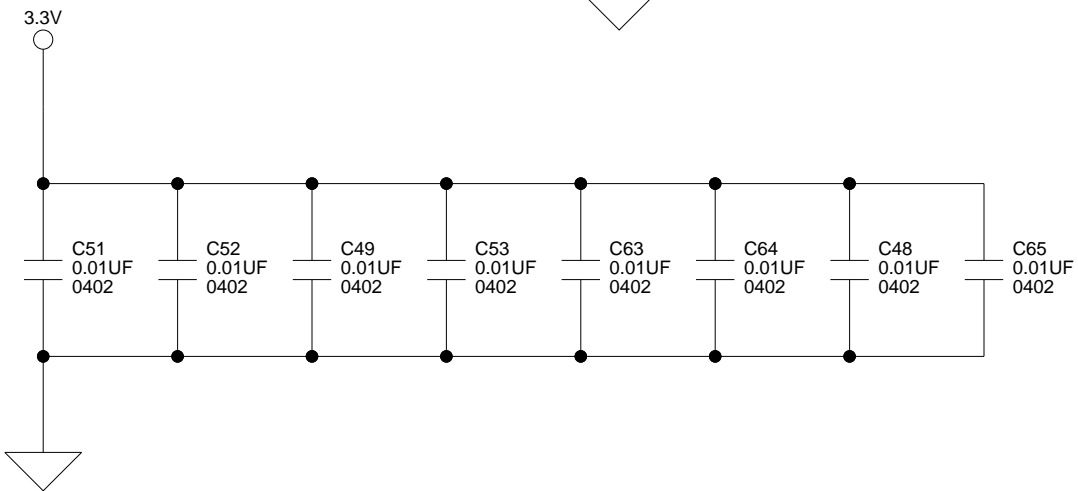
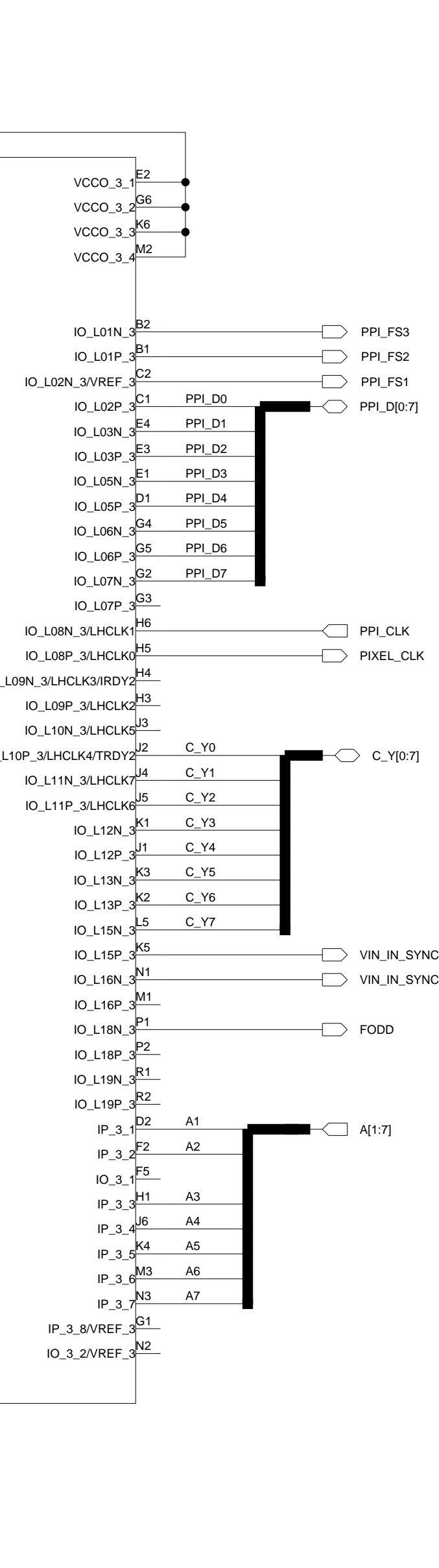
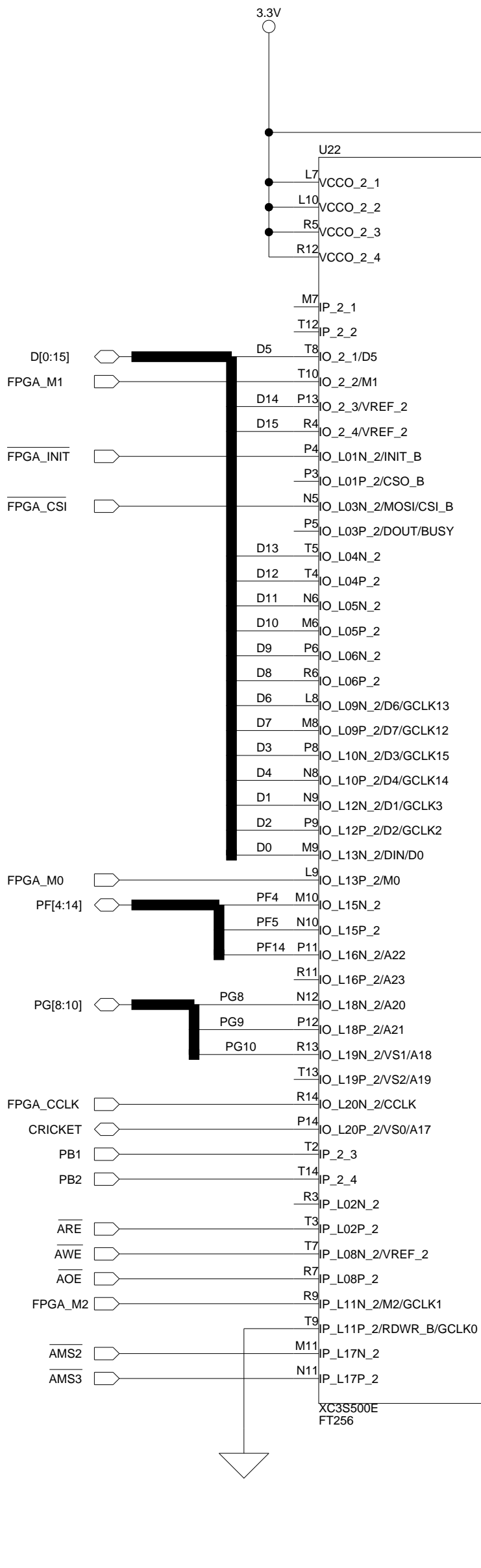
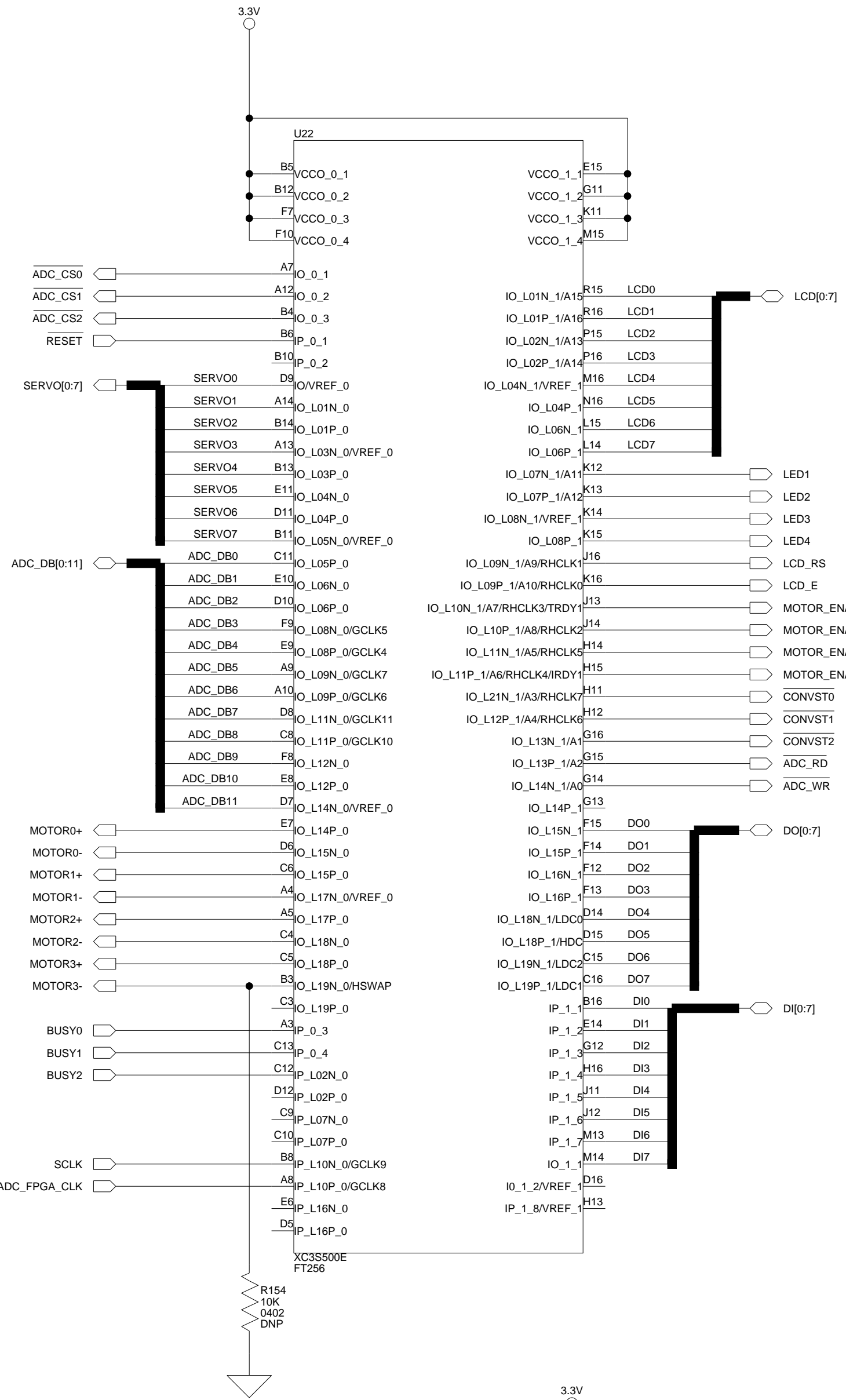


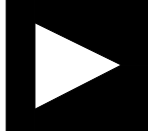
ADDRESS RANGE	MEMORY
0x2030 0000 - 0x203F FFFF	FPGA
0x2020 0000 - 0x202F FFFF	FPGA
0x2010 0000 - 0x201F FFFF	NU
0x2000 0000 - 0x200F FFFF	NAND
0x0000 0000 - 0x03FF FFFF	SDRAM

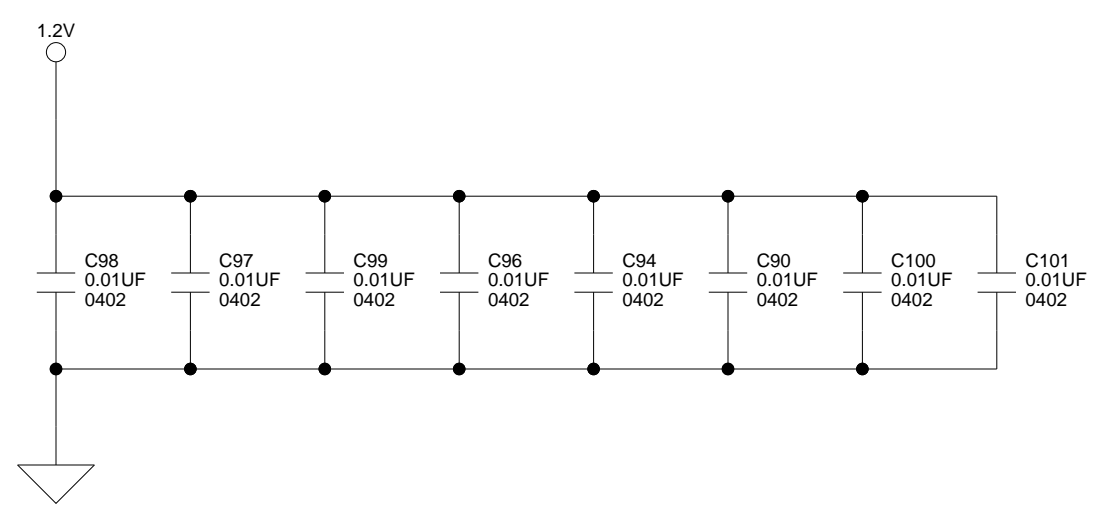
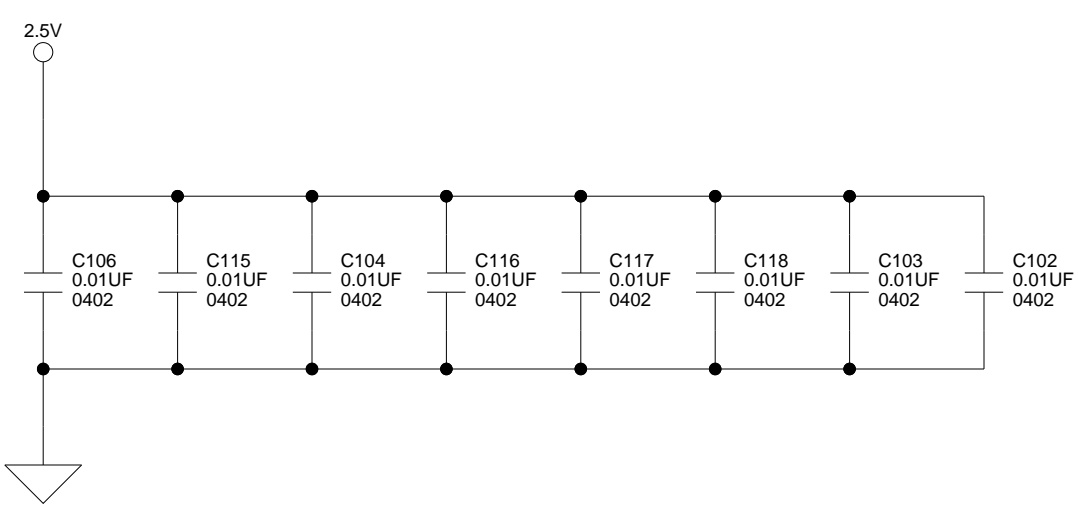
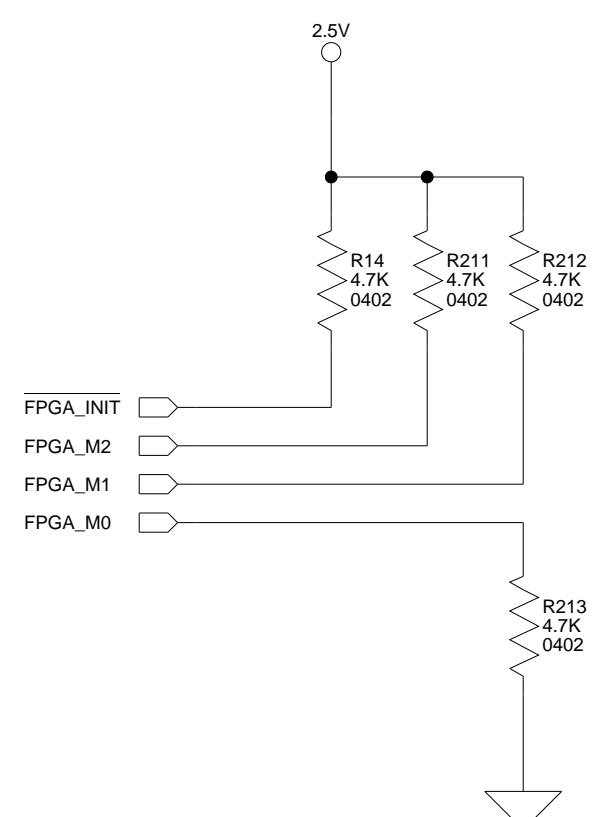
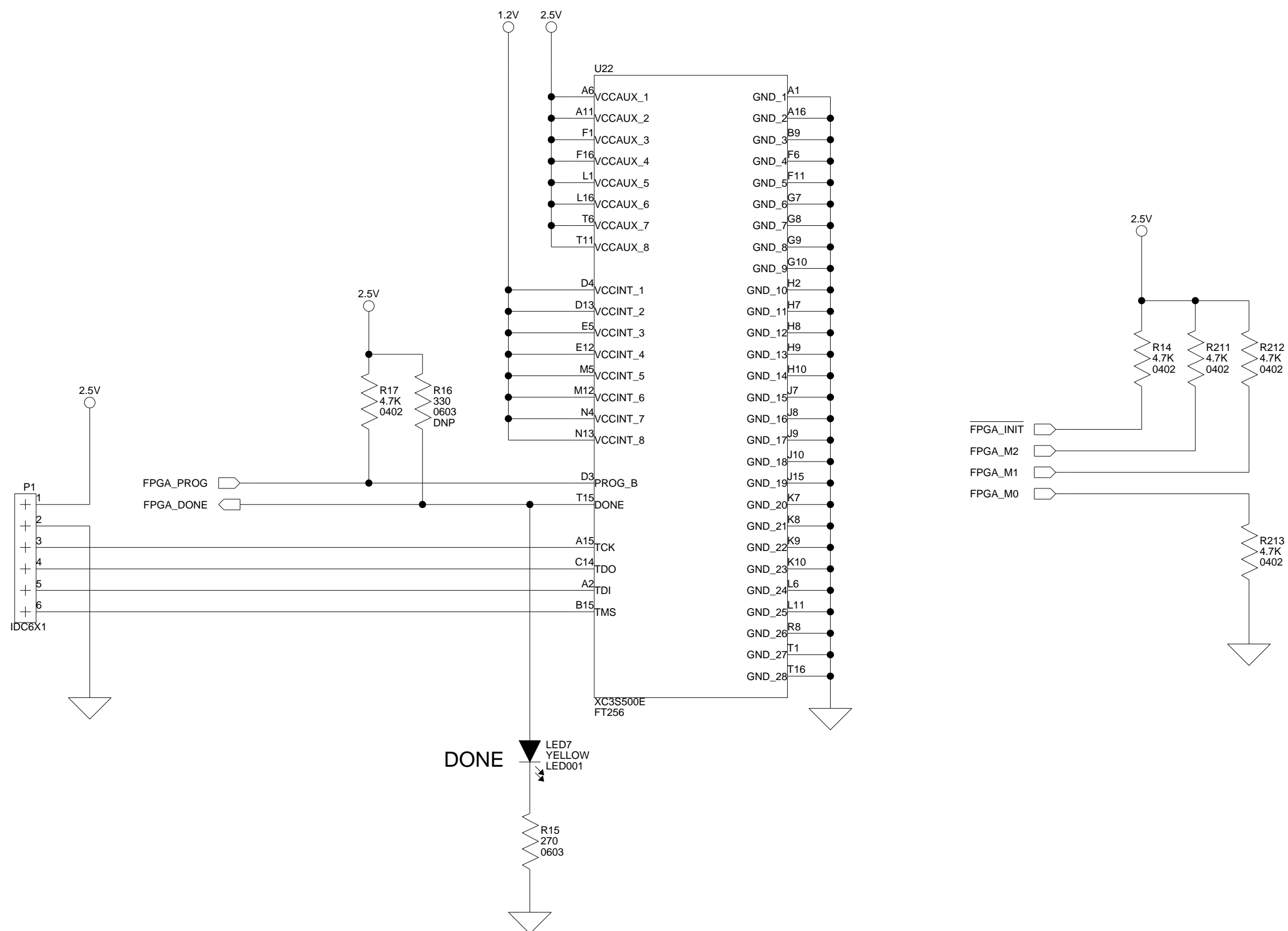
**ANALOG DEVICES**

20 Cotton Road  
Nashua, NH 03063  
PH: 1-800-ANALOGD

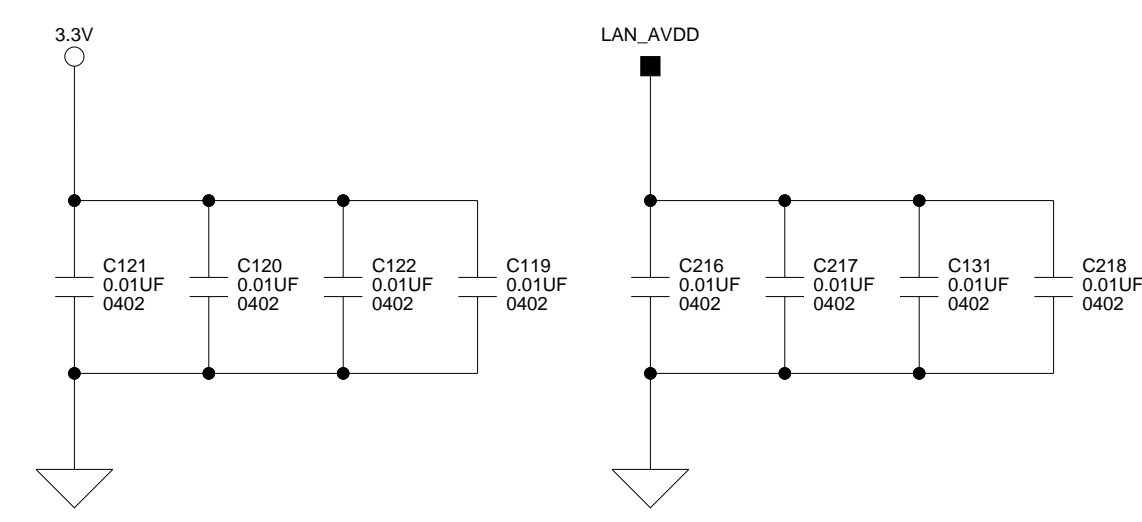
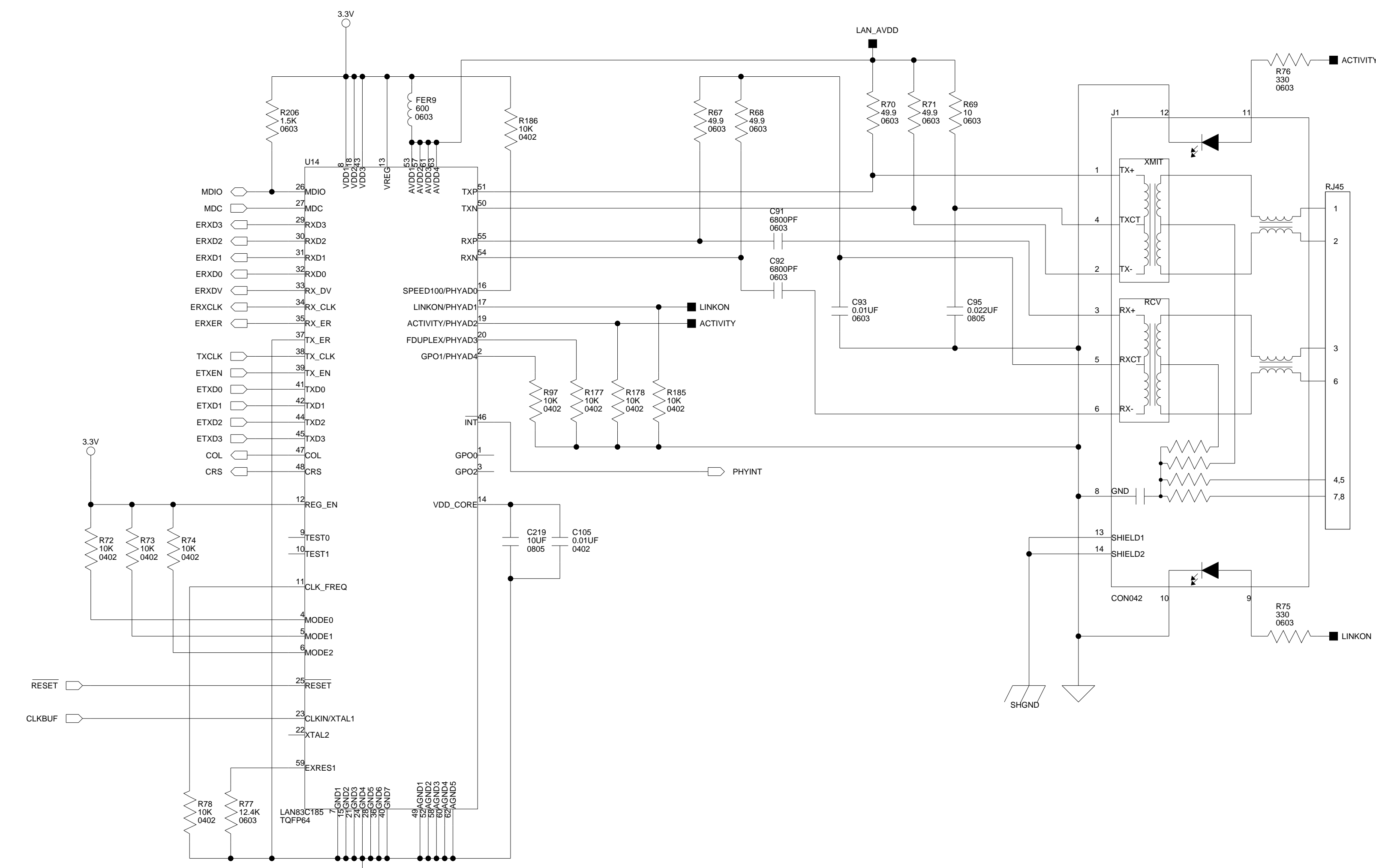
<b>Title</b>		
BF Handy Board SDRAM AND FLASH		
<b>Size</b>	<b>Board No.</b>	<b>Rev</b>
C	A0200-2005	2.0
<b>Date</b>	8-23-2006_14:30	<b>Sheet</b> 3 <b>of</b> 13

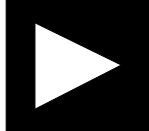


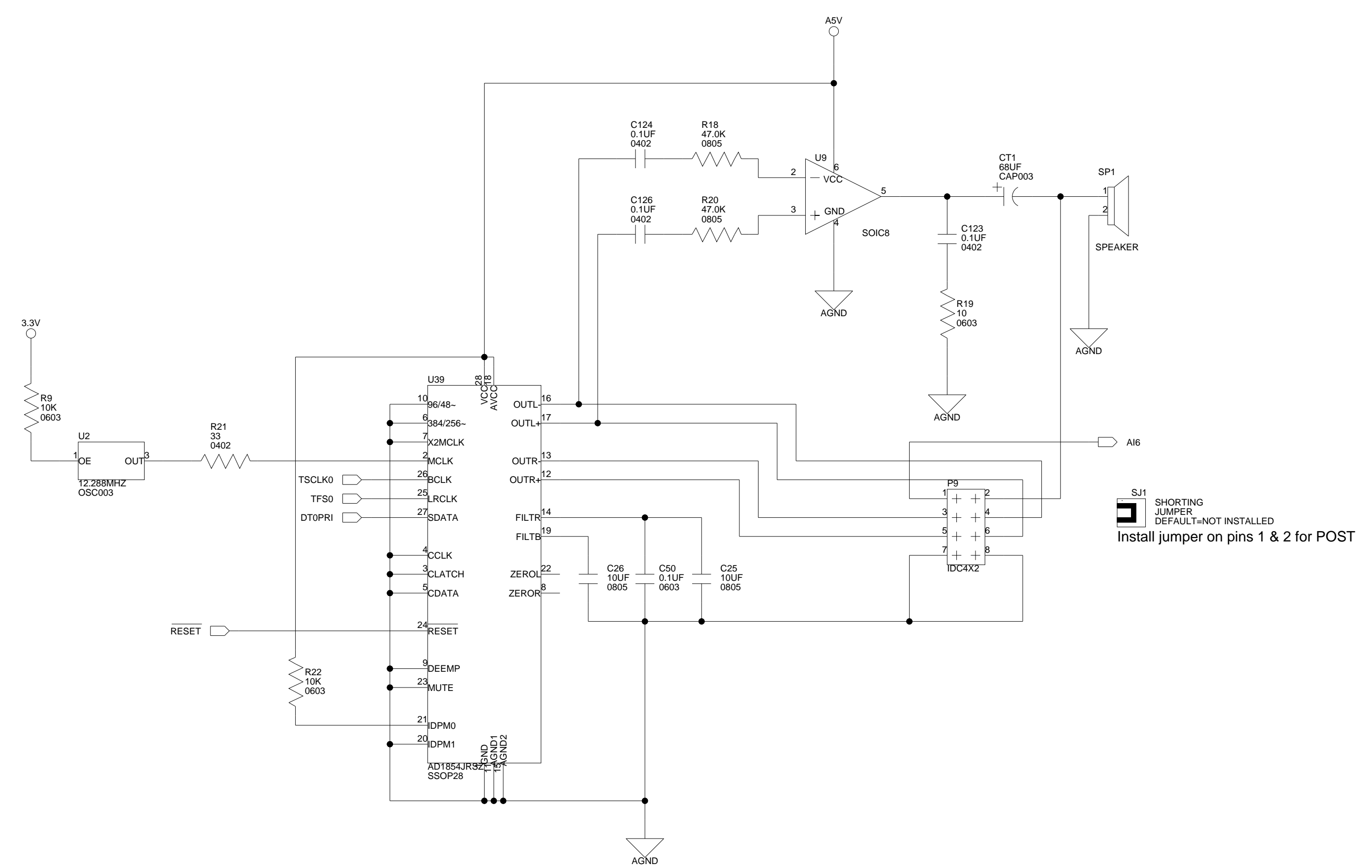
 <b>ANALOG DEVICES</b>		20 Cotton Road Nashua, NH 03063 PH: 1-800-ANALOGD	
		<b>Title</b> BF Handy Board FPGA1	
<b>Size</b> C	<b>Board No.</b> A0200-2005	<b>Rev</b> 2.0	
<b>Date</b> 8-23-2006_14:30	<b>Sheet</b> 4 of 13		



 <b>ANALOG DEVICES</b>		20 Cotton Road Nashua, NH 03063 PH: 1-800-ANALOGD	
		<b>Title</b> BF Handy Board FPGA2	
<b>Size C</b>	<b>Board No.</b> A0200-2005	<b>Rev</b> 2.0	
<b>Date</b> 8-23-2006_14:30	<b>Sheet</b> 5 of		13

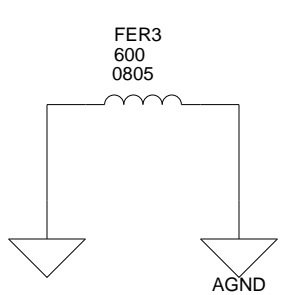
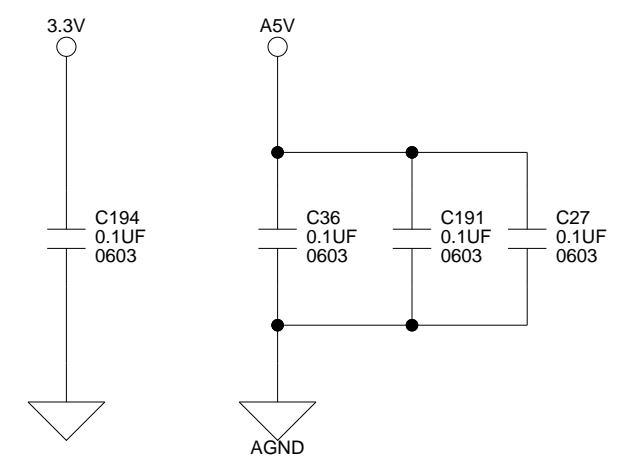



 <b>ANALOG DEVICES</b>		20 Cotton Road Nashua, NH 03063 PH: 1-800-ANALOGD	
		<b>Title</b> BF Handy Board ETHERNET	
<b>Size C</b>	<b>Board No.</b> A0200-2005	<b>Rev</b> 2.0	
<b>Date</b> 8-23-2006_14:30	<b>Sheet</b> 6 of 13		

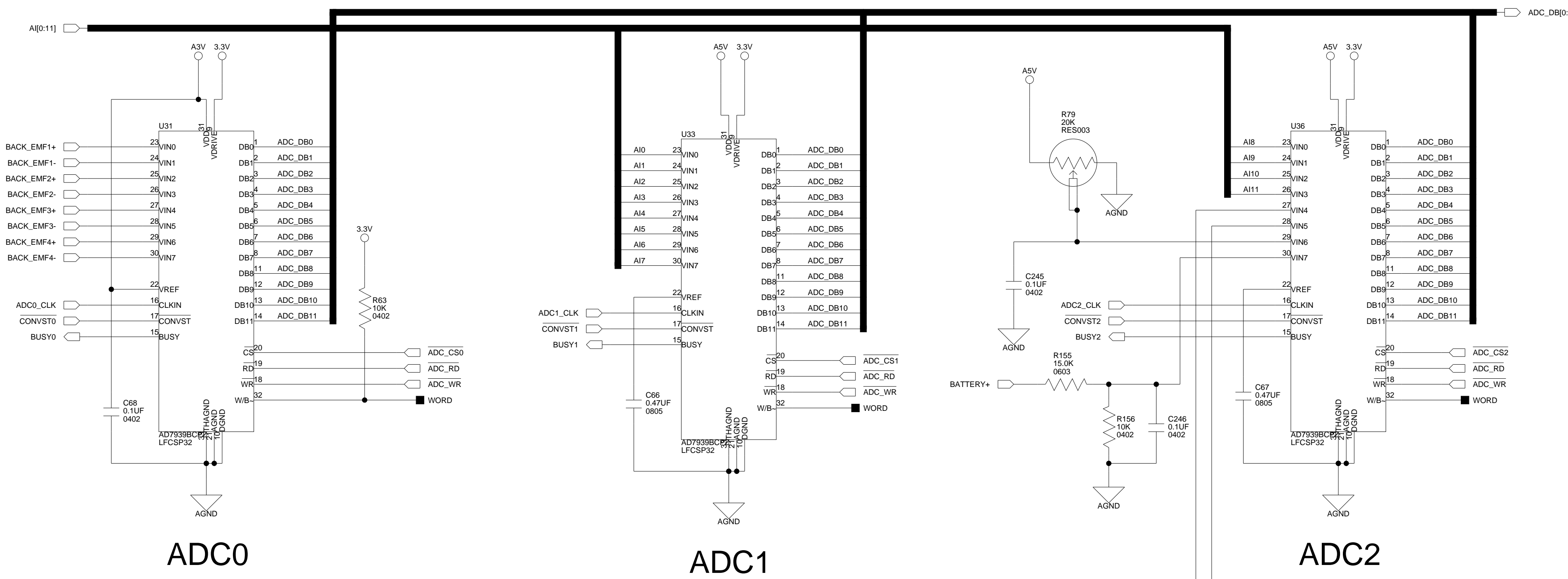


SJ1 SHORTING JUMPER  
 DEFAULT=NOT INSTALLED  
 Install jumper on pins 1 & 2 for POST

DAC



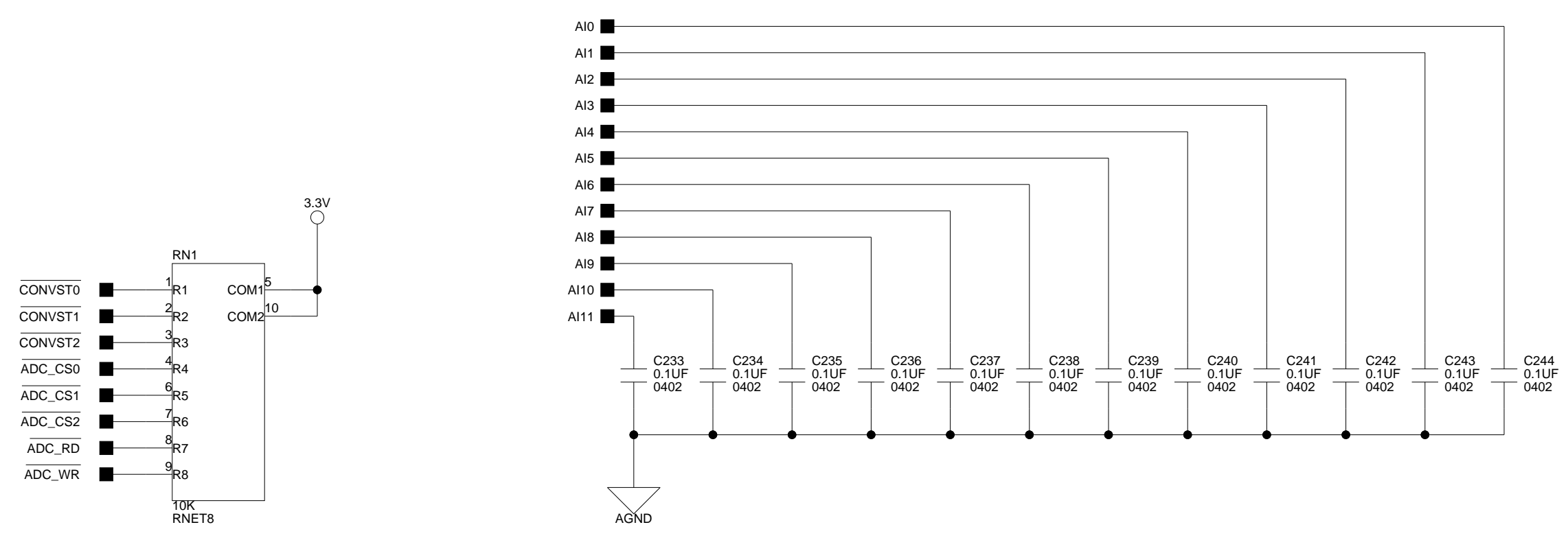
		20 Cotton Road Nashua, NH 03063 PH: 1-800-ANALOGD	
		<b>Title</b> BF Handy Board DAC	
<b>Size</b> C	<b>Board No.</b> A0200-2005	<b>Rev</b> 2.0	
<b>Date</b> 8-23-2006_14:30	<b>Sheet</b> 7 of 13		



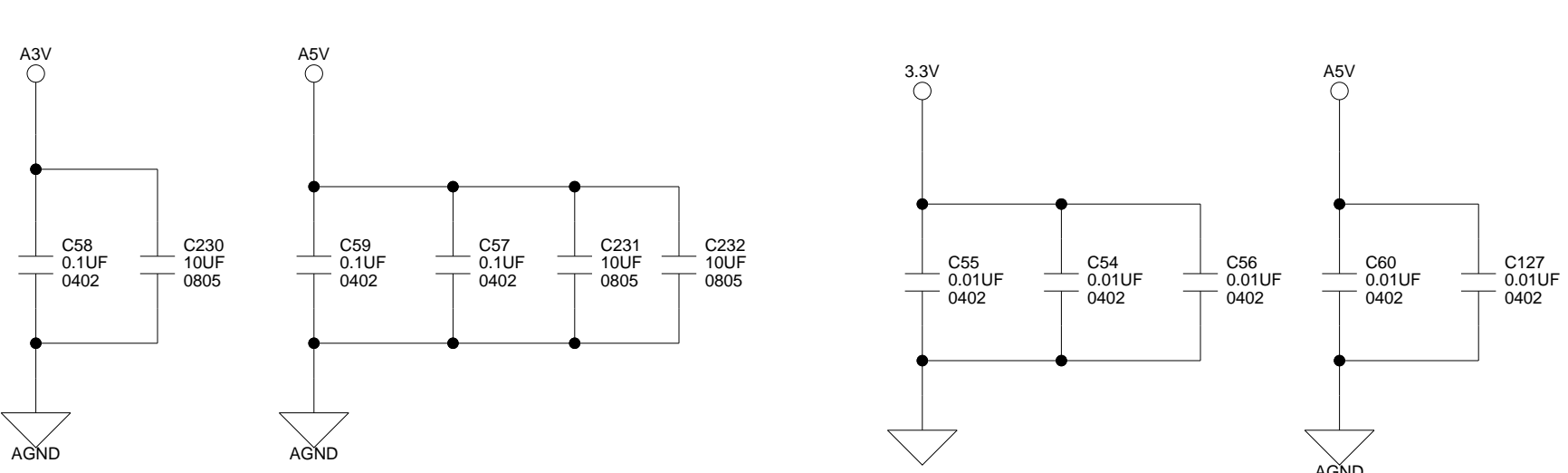
ADC0

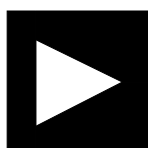
ADC1

ADC2



ACCELEROMETER



 <b>ANALOG DEVICES</b>		20 Cotton Road Nashua, NH 03063 PH: 1-800-ANALOGD	
		<b>Title</b> BF Handy Board ADC/ACCELEROMETER	
<b>Size C</b>	<b>Board No.</b> A0200-2005	<b>Rev</b> 2.0	
<b>Date</b> 8-23-2006_14:30	<b>Sheet</b> 8 of 13		

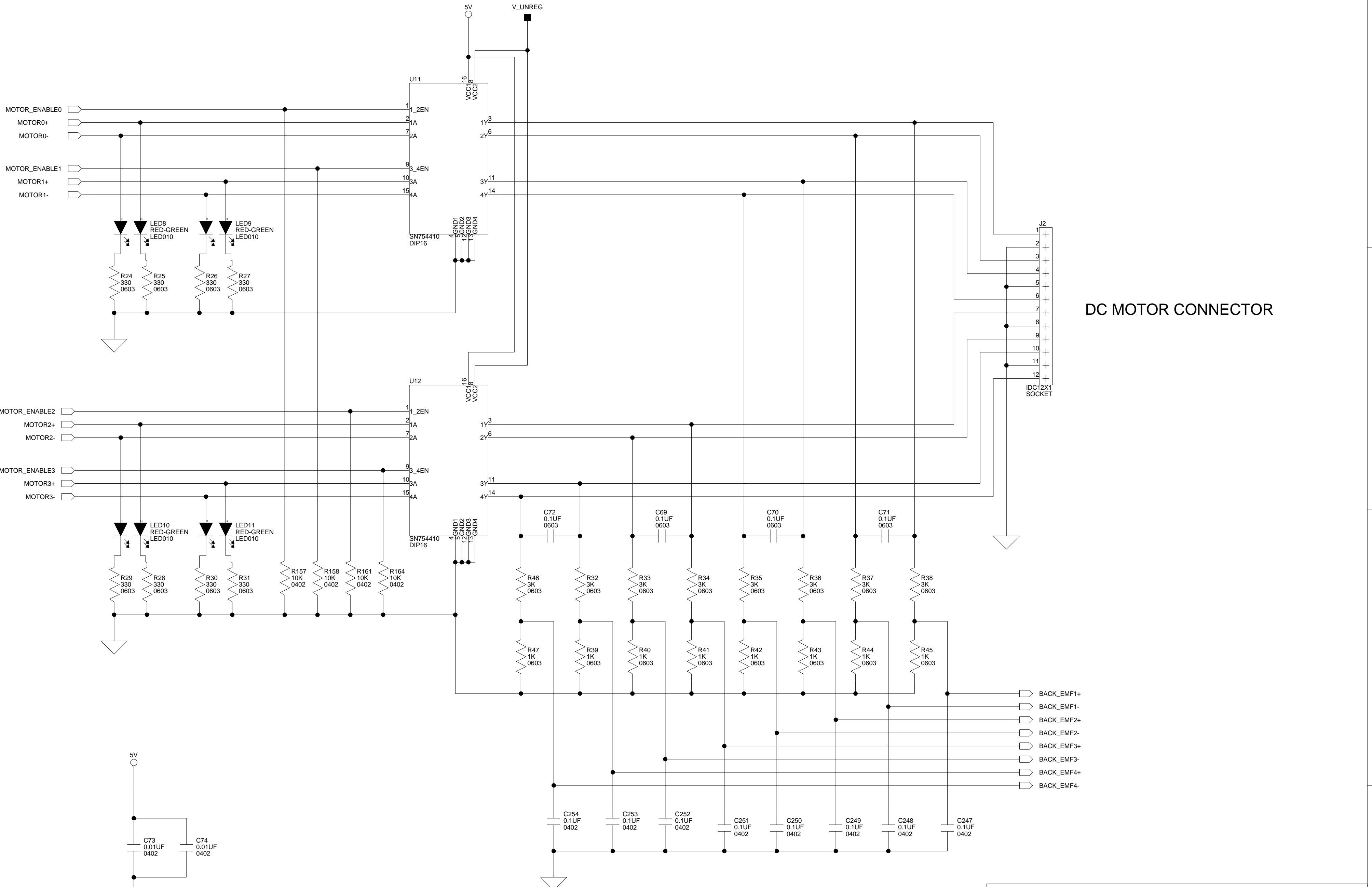


A

B

C

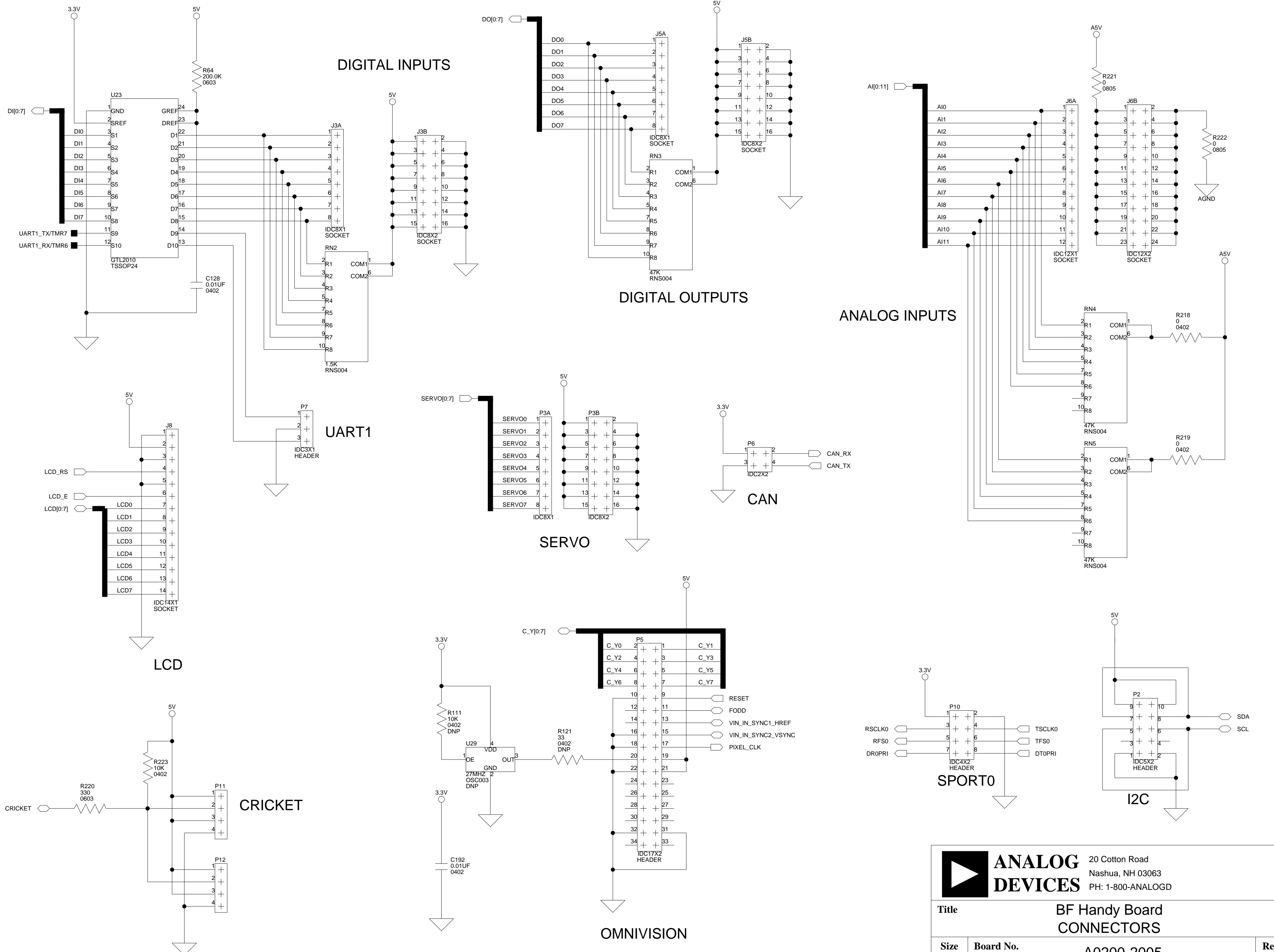
D



DC MOTOR CONNECTOR

- BACK\_EMF1+
- BACK\_EMF1-
- BACK\_EMF2+
- BACK\_EMF2-
- BACK\_EMF3+
- BACK\_EMF3-
- BACK\_EMF4+
- BACK\_EMF4-

 <b>ANALOG DEVICES</b>		20 Cotton Road Nashua, NH 03063 PH: 1-800-ANALOGD	
		<b>Title</b> BF Handy Board MOTOR CONTROL	
<b>Size</b> <b>C</b>	<b>Board No.</b> A0200-2005	<b>Rev</b> 2.0	
<b>Date</b> 8-23-2006_14:30	<b>Sheet</b> 9 <b>of</b> 13		

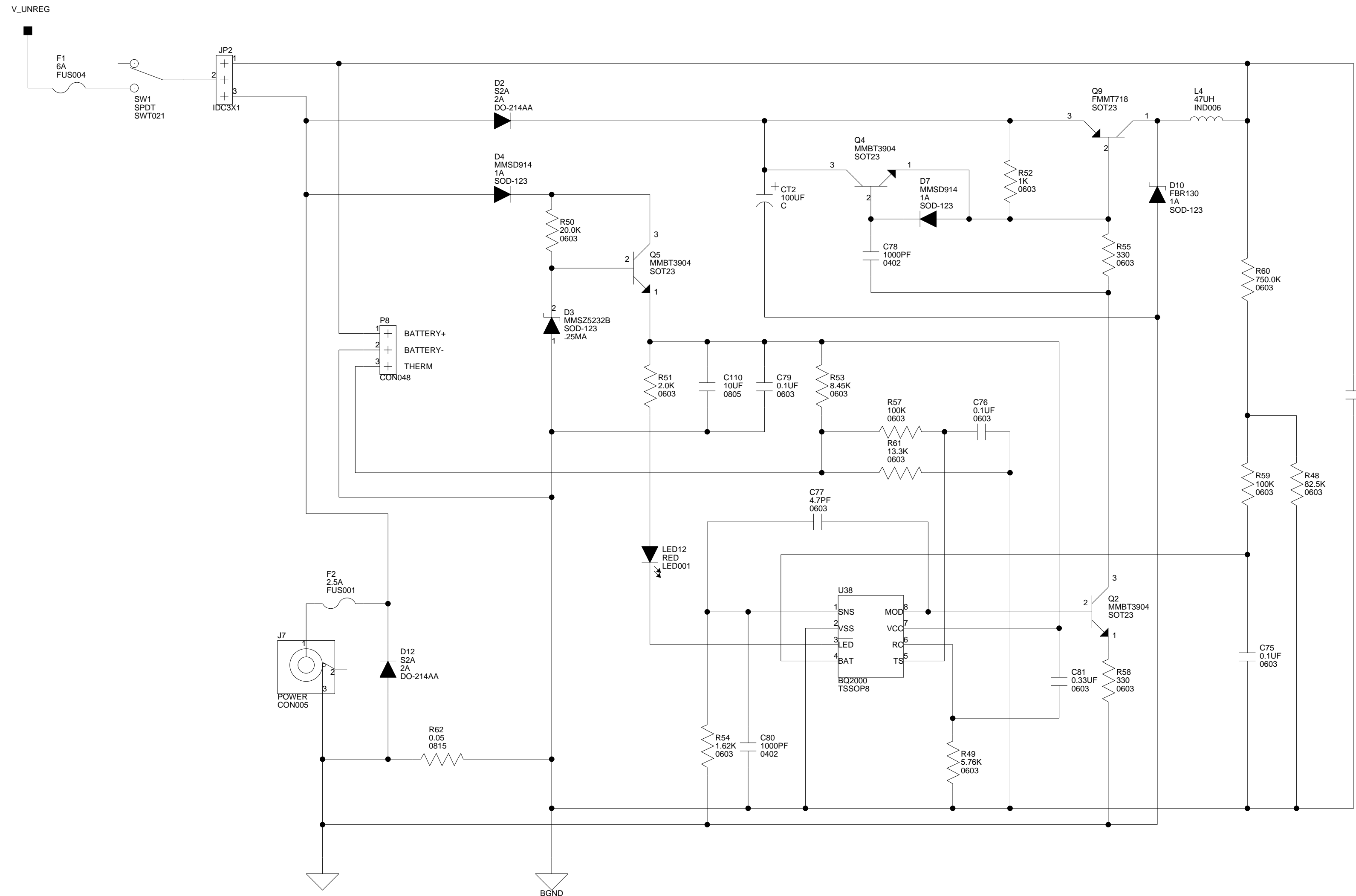


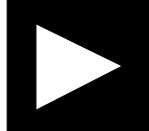
 <b>ANALOG DEVICES</b>		20 Cotton Road Nashua, NH 03063 PH: 1-800-ANALOGD	
		<b>Title</b> BF Handy Board CONNECTORS	
<b>Size</b> C	<b>Board No.</b> A0200-2005	<b>Rev</b> 2.0	
<b>Date</b> 8-23-2006_14:30	<b>Sheet</b> 10 of 13		

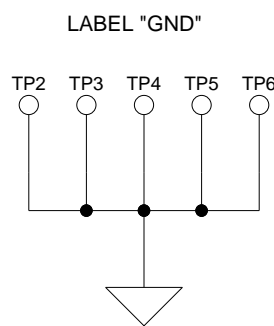
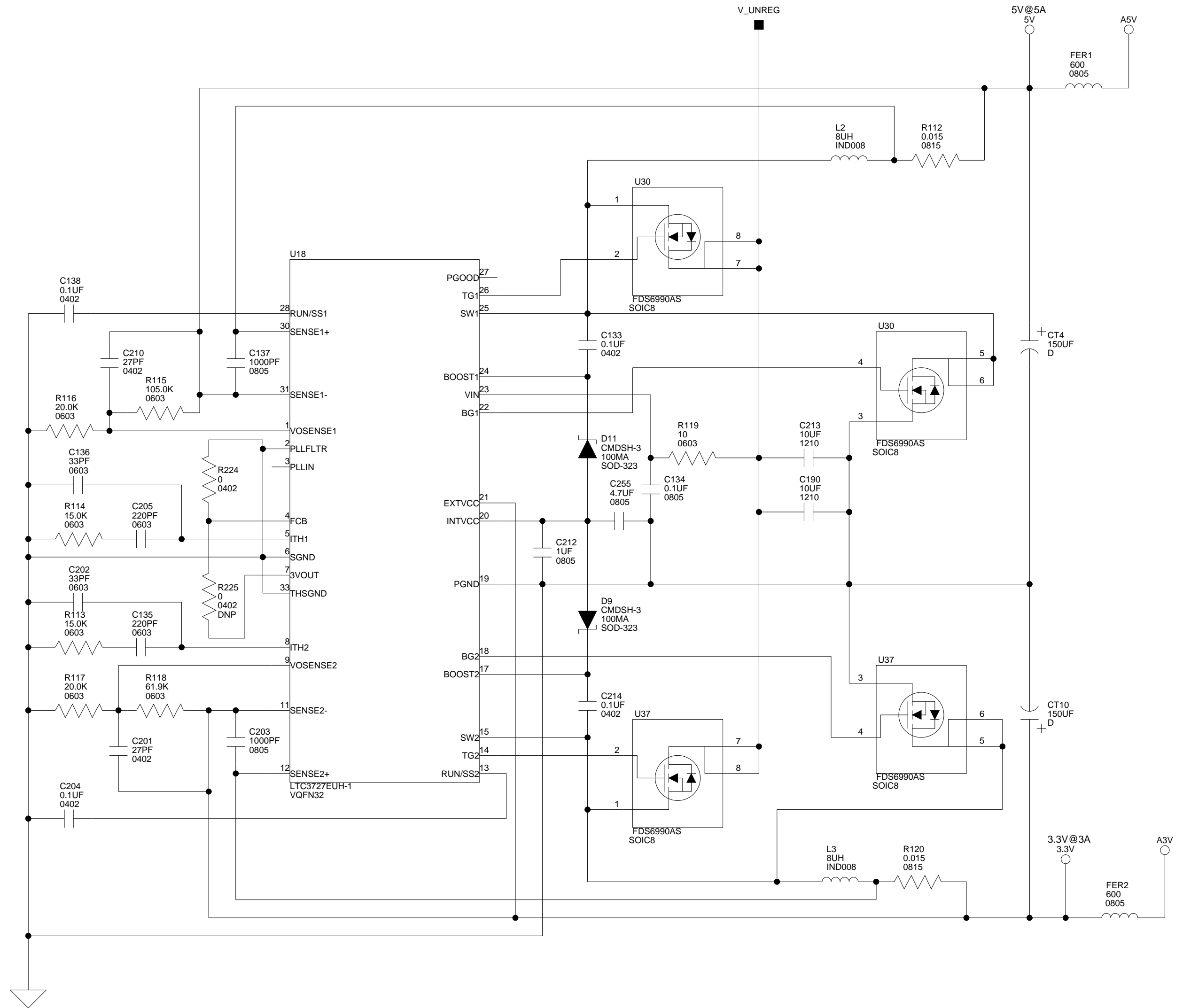
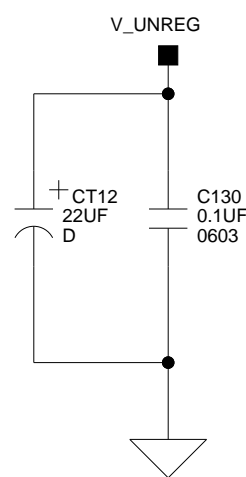
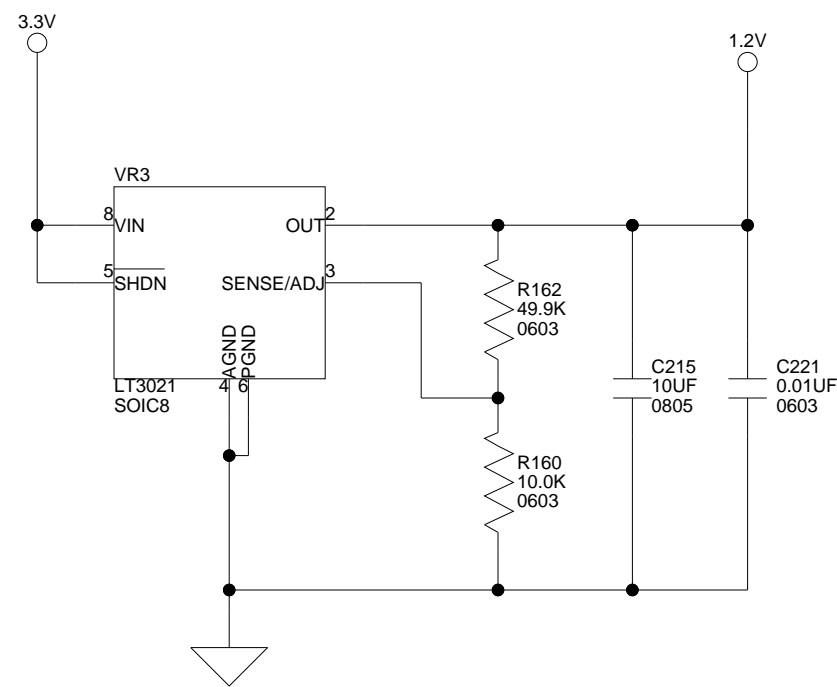
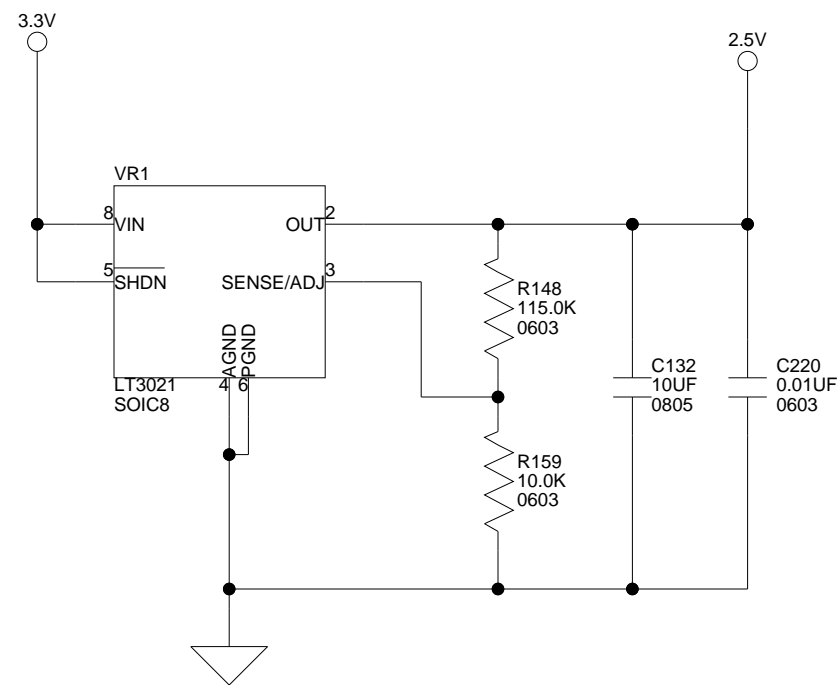


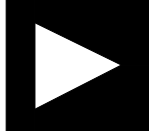
SJ3  
SHORTING  
JUMPER  
DEFAULT=1 & 2

Install jumper on pins 1 & 2 for normal operation (Battery Powered)  
Install jumper on pins 2 & 3 for Power Supply Powered



 <b>ANALOG DEVICES</b>		20 Cotton Road Nashua, NH 03063 PH: 1-800-ANALOGD	
		<b>Title</b> BF Handy Board CHARGING CIRCUIT	
<b>Size C</b>	<b>Board No.</b> A0200-2005	<b>Rev</b> 2.0	
<b>Date</b> 8-23-2006_14:30	<b>Sheet</b> 12 of		<b>13</b>



 <b>ANALOG DEVICES</b>		20 Cotton Road Nashua, NH 03063 PH: 1-800-ANALOGD	
		<b>Title</b> BF Handy Board <b>POWER</b>	
<b>Size C</b>	<b>Board No.</b>	<b>Rev</b>	<b>2.0</b>
<b>Date</b>	8-23-2006_14:30	<b>Sheet</b>	13 of 13